



DHP10Q1027

WP10系列柴油机零件图册

WP10 SERIES DIESEL PARTS CATALOGUE

潍柴动力股份有限公司
WEICHAI POWER CO., LTD.

前 言

为使WP10系列柴油机在使用、维护等工作上的方便特汇编本图册以供我方与用户在使用中查阅参考。

该图册基本上按组绘出了各个零件的图形相互关系。图序号、件号、数量、中文名称、英文名称等列于明细表栏内。

随着技术和生产的不断发展柴油机的变形将增多故本图册的内容将有所更新。变化不再另行通知特请用户注意。用户为获取最新产品信息应咨询潍柴动力股份有限公司。

FOREWORD

This illustrated parts manual is specially prepared for customers to facilitate the use of WP10 series diesel engine in operation and tenance.It only includes the main models manufactured in the works at present,with regard to other models,the customers may refer to this catalogue.

The illustrations are grouped under the heading of each assembly and numbered individually.Part.

No.,Quantity,Model,English designation,Chinese designation and so on are written in the parts list With the development of technology and production,the versions of the diesel engine will be increased, so the catalogue will be revised.Please pay attention to our revised edition.If you want to get the most newly information about the products,please visit the Website:<http://www.weichai.com>.



目 录 CONTENTS

机体结合组(Engine Block Group).....	1
气缸体预装配(Pre-assembled cylinder block).....	3
正时齿轮室组件().....	5
曲轴结合组(Crankshaft Group).....	7
曲轴总成(Crankshaft assembly).....	9
活塞连杆结合组(Piston and Connecting Rod Group).....	11
连杆总成(Connecting rod assembly).....	13
活塞环组件(Piston ring assembly).....	15
气缸盖结合组(Cylinder head assembly).....	17
气缸盖分总成(Cylinder head subassembly).....	19
配气机构结合组(Valve Train Group).....	21
凸轮轴总成(Camshaft assembly).....	25
EVB排气摇臂组件(EVB Exhaust Rocker Arm Set).....	27
进气门摇臂总成(Intake valve rocker arm).....	29
中间齿轮总成(Intermediate gear assembly).....	31
机油泵结合组(Oil pump assembly).....	33
机油泵中间齿轮组件(Oil Pump Idle Gear Assembly).....	35
机油冷却器结合组(Oil cooler assembly).....	37
共轨系统结合组().....	39
高压油泵结合组(High pressure pump assembly).....	41
高压油管组件(High pressure pipe assembly).....	43
端盖结合组().....	45
油气分离器结合组(Oil-gas Separator Group).....	47
油气分离器总成(Oil-gas separator assembly).....	49
油尺结合组(Dipstick Group).....	51
油标尺总成(Oil dipstick assembly).....	53
加油管结合组(Oil Tilling Tube Group).....	55
飞轮壳结合组(Flywheel Housing Group).....	57
机油冷却器盖结合组().....	59
飞轮结合组(Flywheel Group).....	61



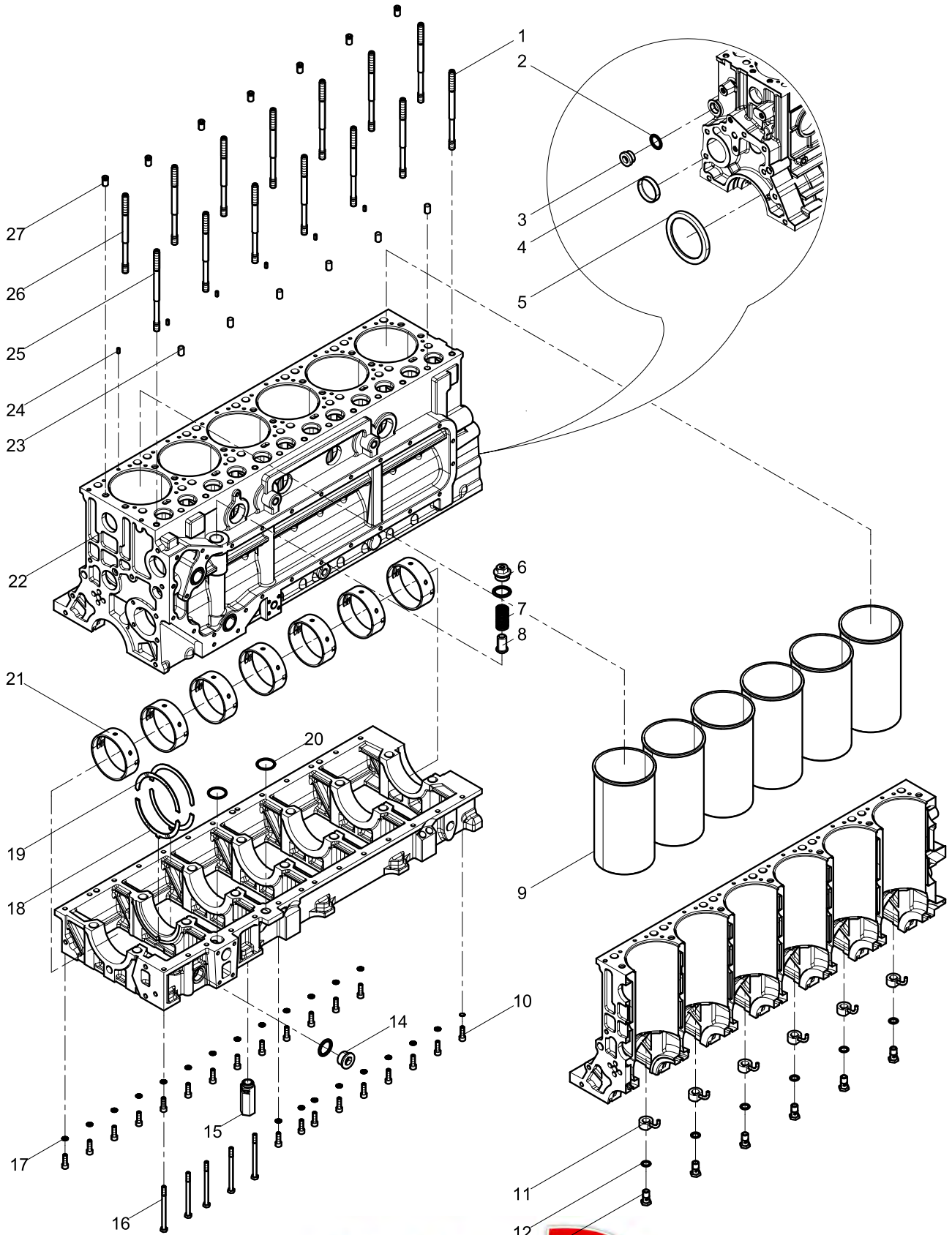
曲轴皮带轮结合组(Crankshaft Pulley Group)	63
气缸盖罩组件()	65
出水管结合组(Water Outlet Pipe Group)	67
节温器结合组(Thermostat Group)	69
水泵结合组(Water pump assembly)	71
水管接头结合组(Water Pipe Connector Group)	73
风扇及轮毂结合组(Fan and Hub Group)	75
张紧轮及皮带结合组(Tensioner and Belt Assembly)	77
机油集滤器结合组(Oil Suction Strainer Group)	79
机油滤清器结合组(Oil filter assembly)	81
机油滤清器总成(Oil filter assembly)	83
燃油滤清器结合组(Fuel Filter Group)	85
燃油粗滤器(Primary fuel filter)	87
精滤器(Fine filter)	89
低压油管结合组(Low Pressure Oil pipe Group)	91
电控线束及传感器结合组(Electronic Control System Harness and Sensor Group)	93
转速传感器组件()	95
喷油器结合组(Injector assembly)	97
发电机结合组(Generator Group)	99
发电机支架结合组(Generator Bracket Group)	101
起动机结合组(Starter Motor Group)	103
进气管结合组(Intake Manifold Group)	105
进气管总成(Air inlet pipe assembly)	107
排气管结合组(Exhaust Manifold Group)	109
增压器结合组(Turbocharger assembly)	111
增压器润滑油管结合组(Turbocharger Oil pipe Group)	113
压气机管路结合组(Compressor Pipeline Group)	115
后排气管结合组(Rear Exhaust Manifold Group)	117
中冷器结合组(Intercooler assembly)	119
空压机结合组(Air Compressor Group)	121



空压机总成(Air compressor assembly).....	123
液压泵结合组(Hydraulic Pump Group).....	125
油底壳组().....	127
油底壳组件(Oil pan assembly).....	129
发动机支架结合组(Engine Bracket Group).....	131
零件箱总成(Parts Kit Assembly).....	133
燃油水寒宝(Fuel System Protector).....	135
包装箱底盘零件结合组(Packing Box Chassis Parts Group)	137
随机单发零件结合组(Single Transport Parts Attached to Engine Group)(*01).....	139
随机单发零件结合组(Single Transport Parts Attached to Engine Group)(*02).....	141



机体结合组(Engine Block Group)

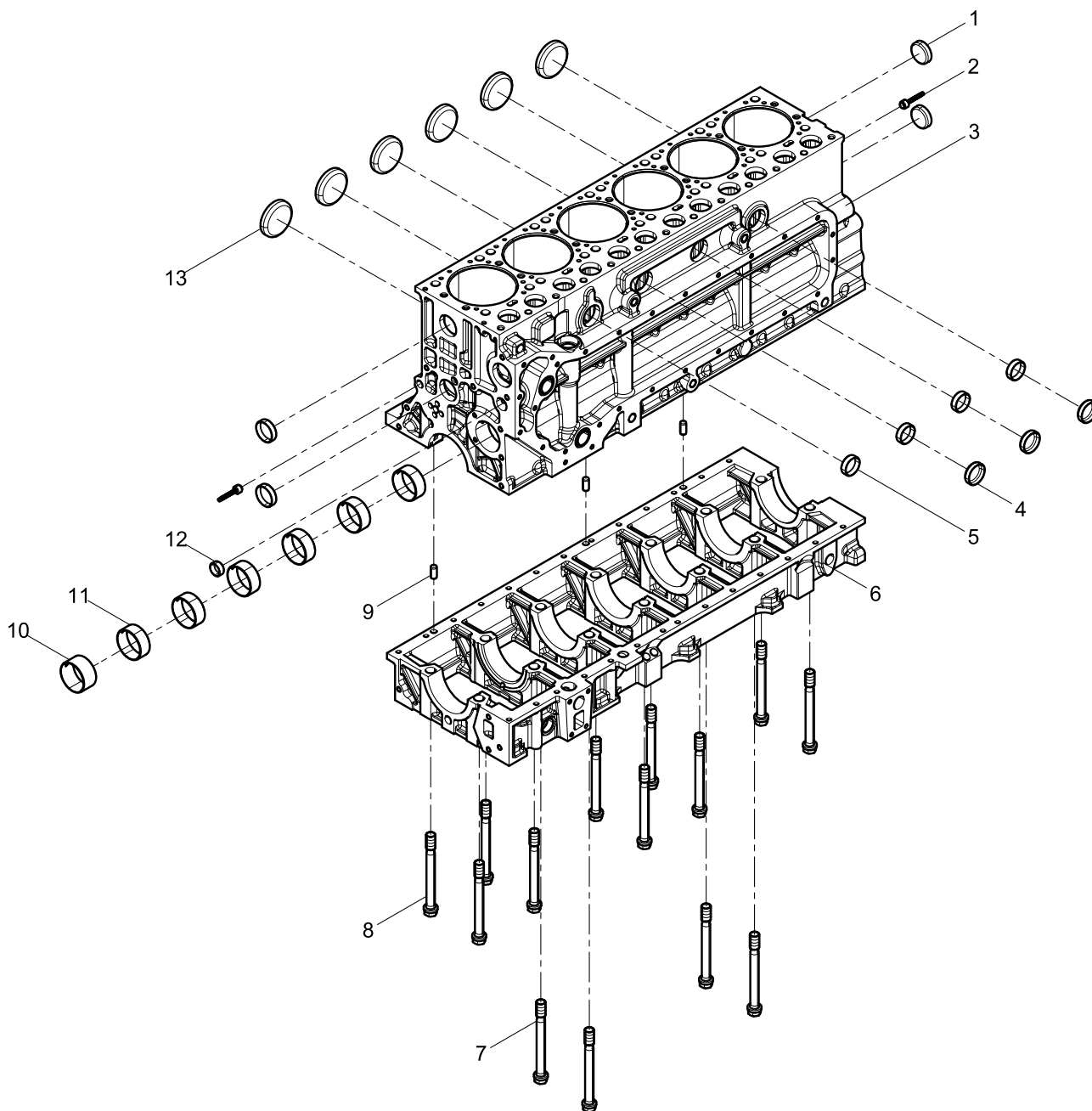


机体结合组(Engine Block Group)

图序号 Pos.	件号 Teile.Number	数量 Amount	中文名称 Denomination	英文名称 Designation
1	61500010185	6	气缸盖螺栓	Cylinder head bolt
2	612600010735	3	复合垫圈	Washer
3	90003962051	1	六角螺塞	Hexagon plug
4	90003989288	1	碗形塞	Corehole plug
5	61500010100	1	后油封	Rear oil seal
6	612600070160	1	六角螺塞	Hexagon plug
7	614070068	1	安全阀弹簧	Safety valve spring
8	614070069	1	安全阀	Safety valve
9	612630010015	6	气缸套	Cylinder liner
10	90003862428	22	内六角圆柱头螺钉	Inner hexagon screw
11	612600010659	6	喷嘴总成	Nozzle assembly
12	90003098015	6	密封垫圈	Seal washer
13	90003962621	6	空心螺栓	Hollow bolt
14	90003962050	1	内六角螺塞	Inner hexagon plug
15	AZ1500070097	1	主油道限压阀总成	Pressure limiting valve assembly of main oil passage
16	90003802493	5	六角头螺栓	Hexagon bolt
17	188250083	22	自锁垫圈	Washer
18	612600013918	2	下止推片	Thrust washer (lower)
19	612600013917	2	上止推片	Thrust washer (upper)
20	81400010032	2	密封圈	Seal washer
21	81500010046	7	主轴瓦组件	Main Bearing Set
22	612600013936	1	气缸体预装配	Pre-assembled cylinder block
23	90003901604	6	圆柱销	Straight pin
24	90003909626	6	弹性圆柱销	Spring dowel pin
25	612600010893	1	气缸盖螺栓	Cylinder head bolt
26	61500010185S	7	气缸盖螺栓	Cylinder head bolt
27	612600012189S	7	预涂胶紧定螺钉	



气缸体预装配(Pre-assembled cylinder block)

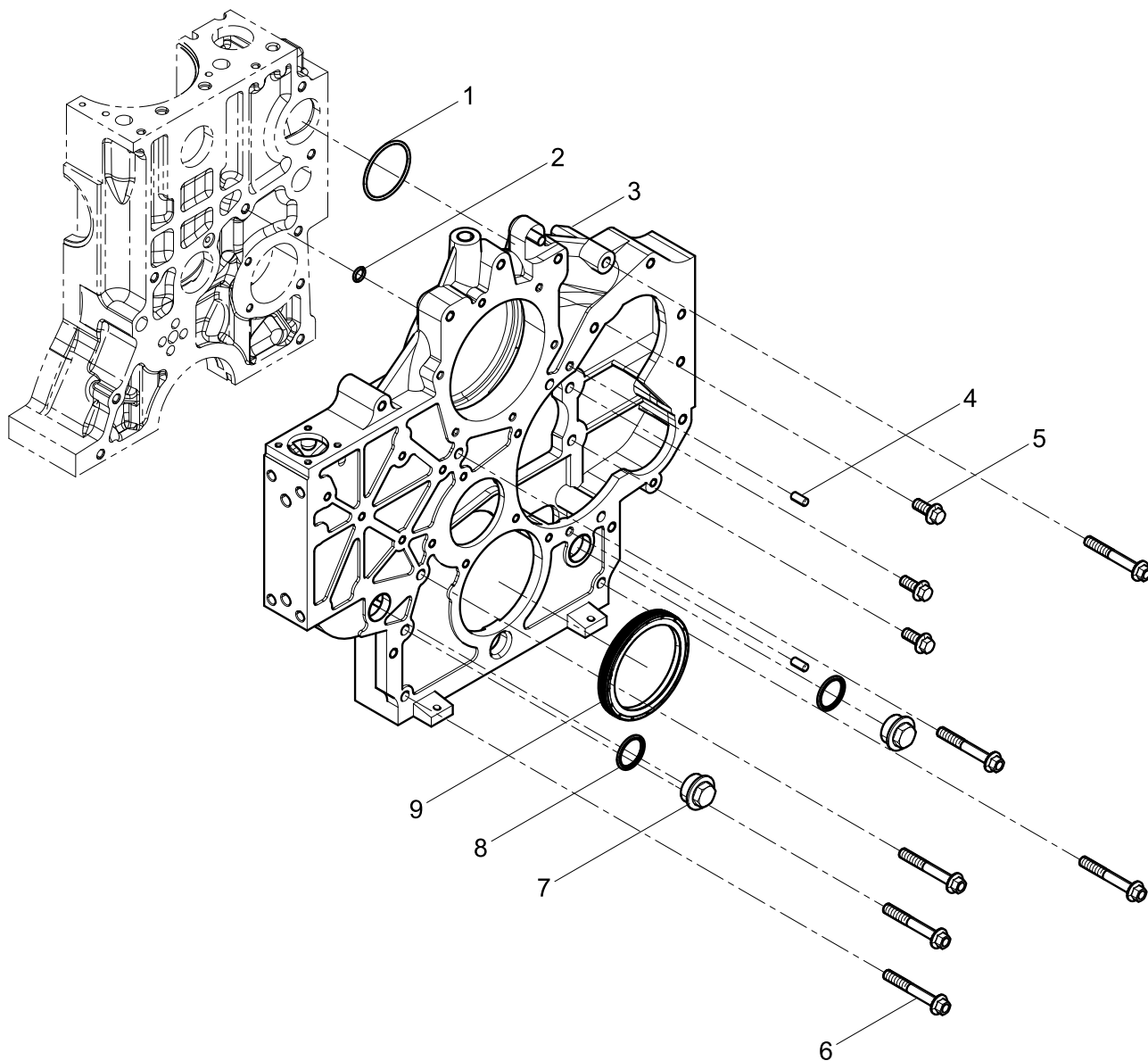


气缸体预装配(Pre-assembled cylinder block)

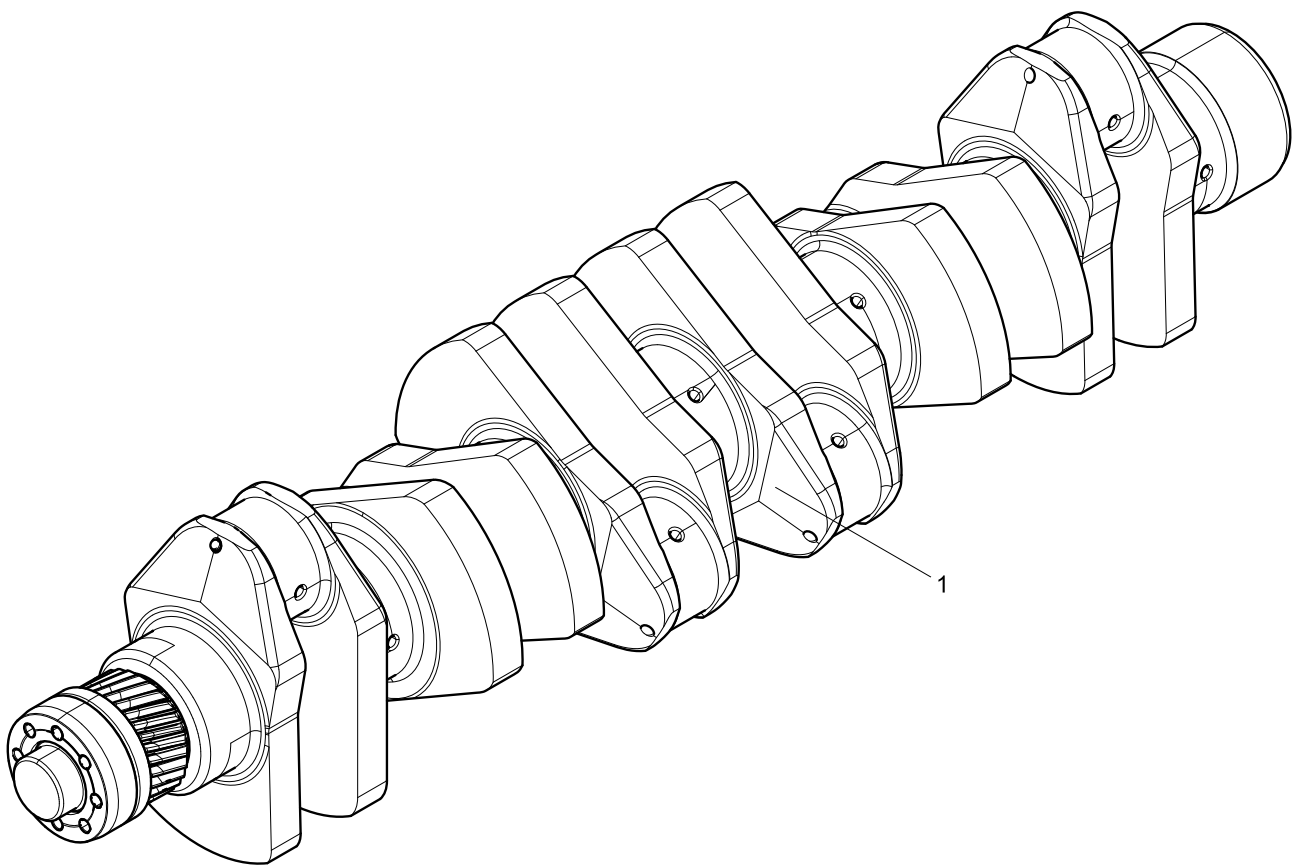
图序号 Pos.	件号 Teile.Number	数量 Amount	中文名称 Denomination	英文名称 Designation
1	90003982121	4	碗形塞	Corehole plug
2	612600013437	2	拉铆钉	Tensioned rivet
3	612600013747	1	气缸体	Cylinder block
4	90003989215	3	碗形塞	Corehole plug
5	90003989289	4	碗形塞	Corehole plug
6	612600013749	1	曲轴箱	Crankshaft case
7	614010217	4	主轴承螺栓	Main bearing bolt
8	614010114	10	主轴承螺栓	Main bearing bolt
9	612600010051	3	内螺纹圆柱销	Inner hexagon pin
10	612600010990	1	凸轮轴衬套	Camshaft bushing
11	61560010029	6	凸轮轴衬套	Camshaft bushing
12	90003989204	1	碗形塞	Corehole plug
13	90003989210	6	碗形塞	Corehole plug



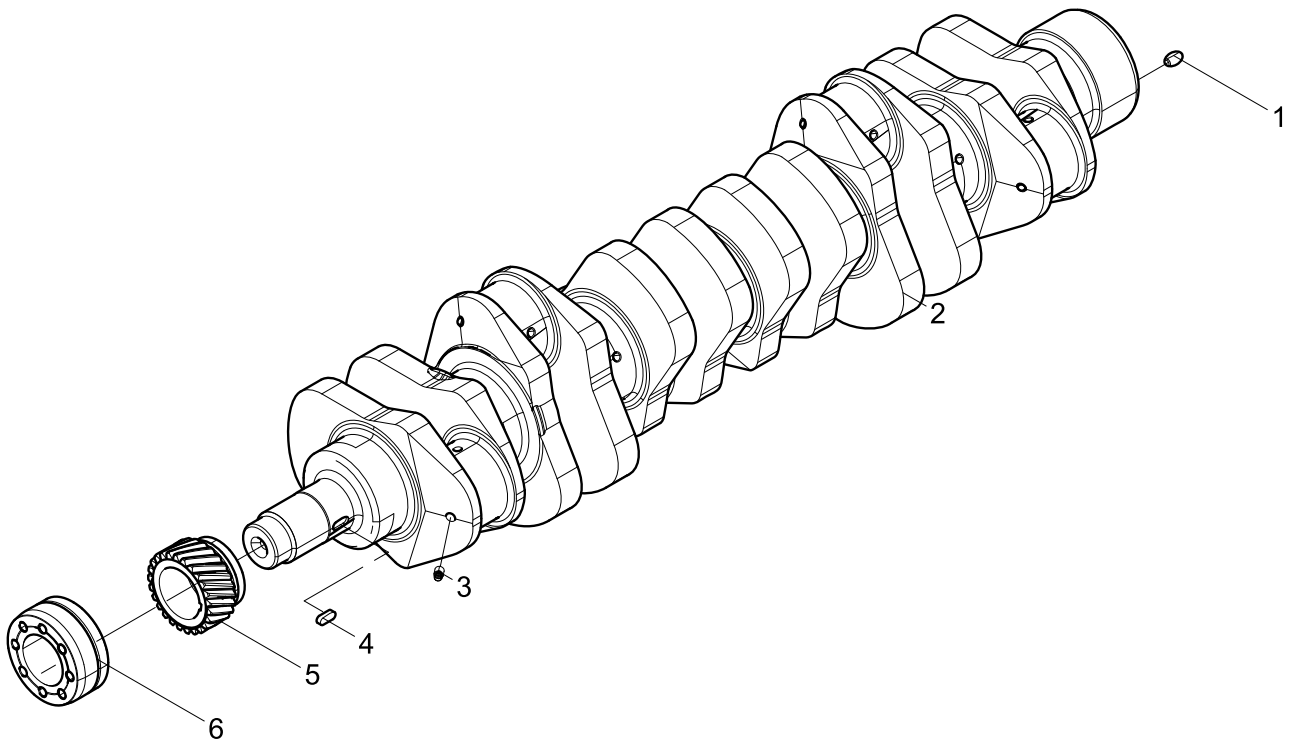
正时齿轮室组件()



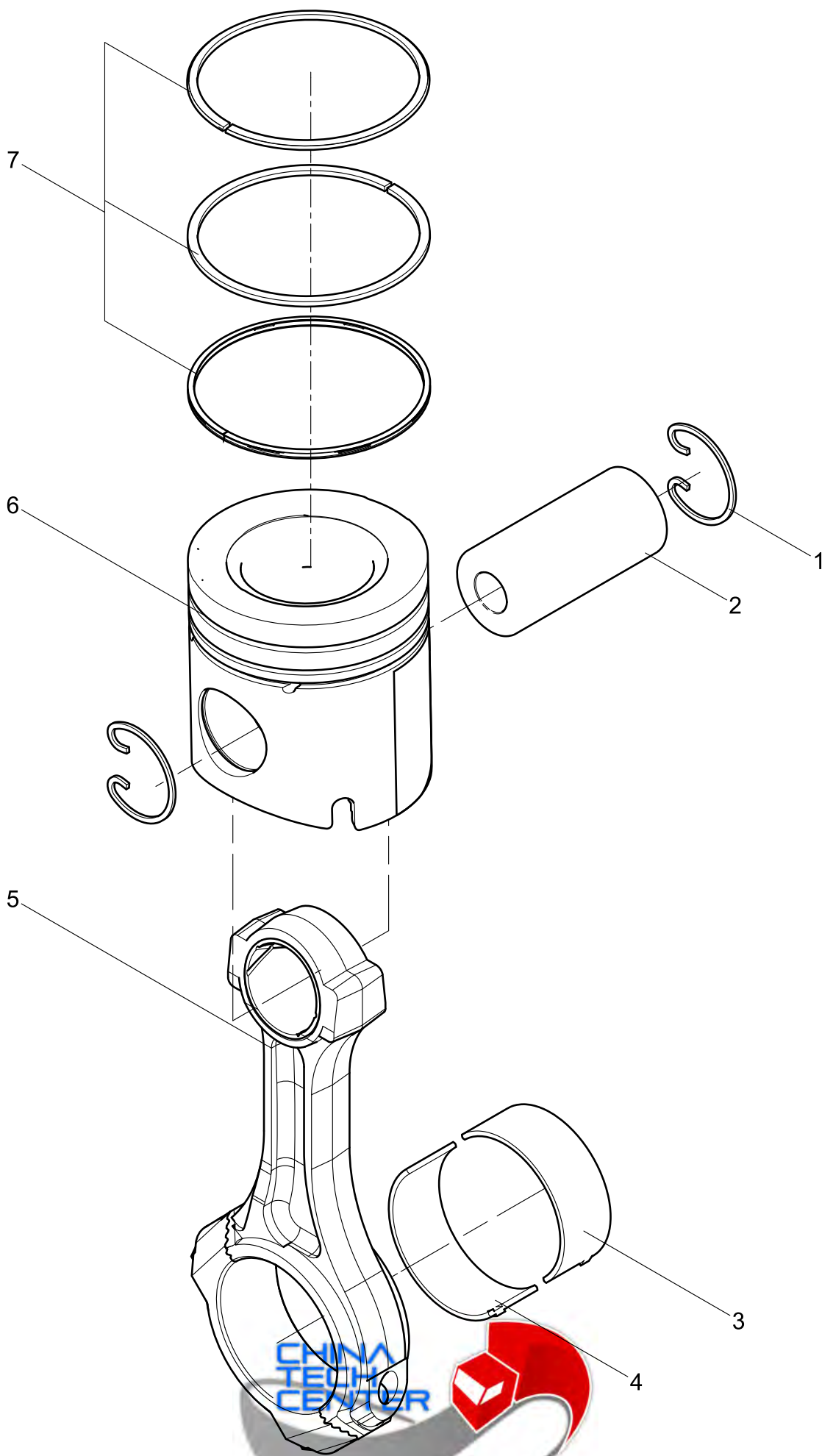
曲轴结合组(Crankshaft Group)



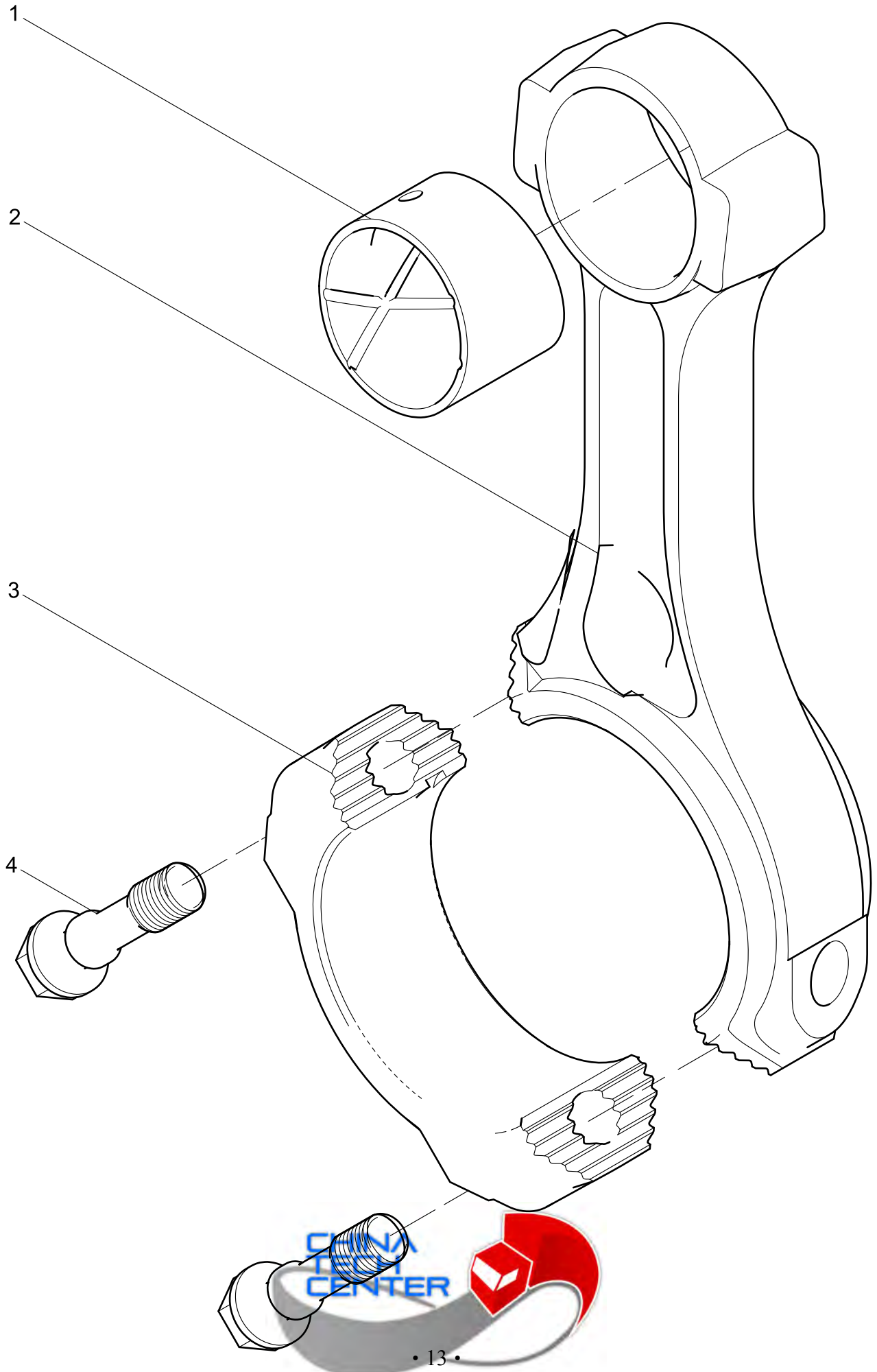
曲轴总成(Crankshaft assembly)



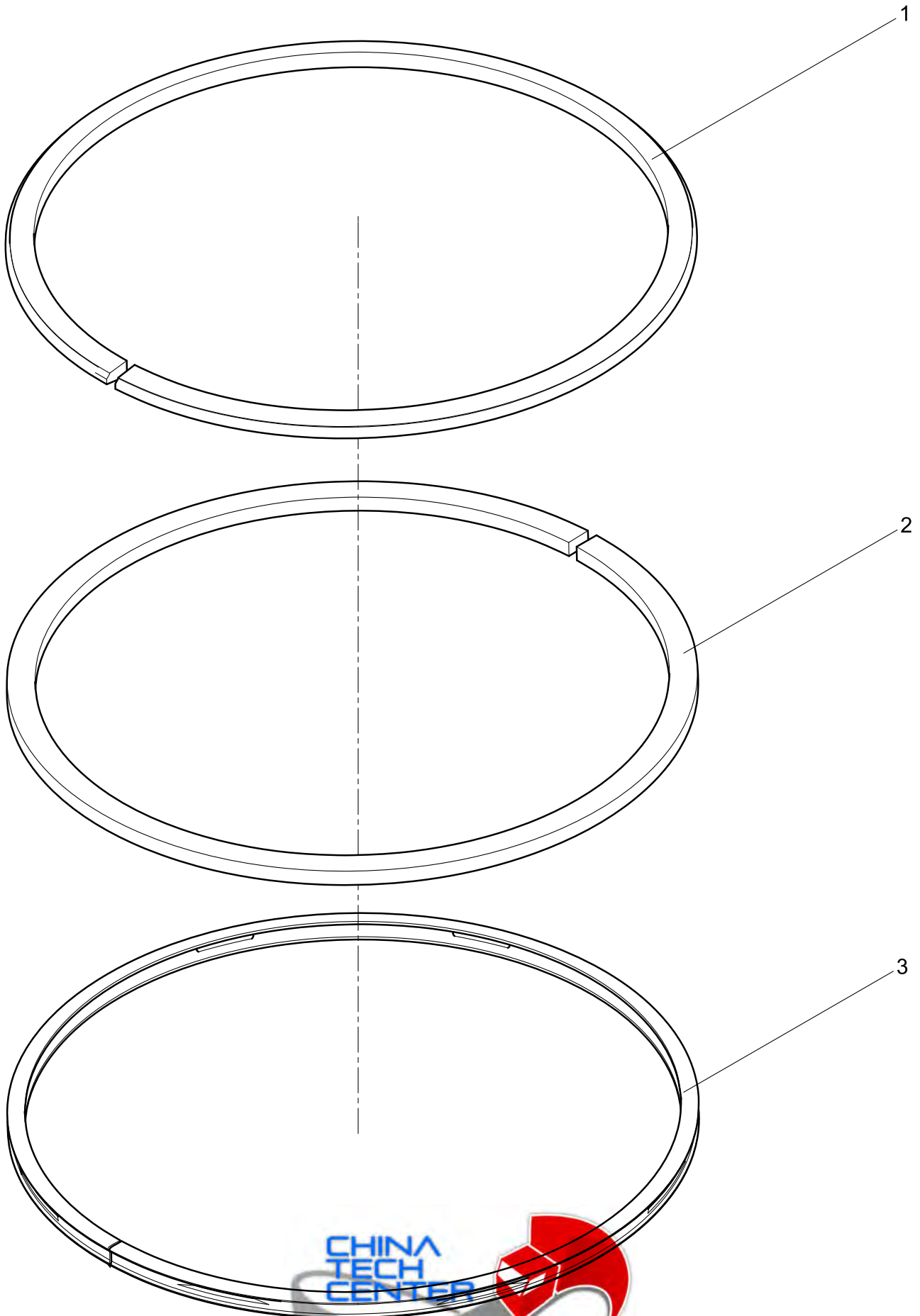
活塞连杆结合组(Piston and Connecting Rod Group)



连杆总成(Connecting rod assembly)



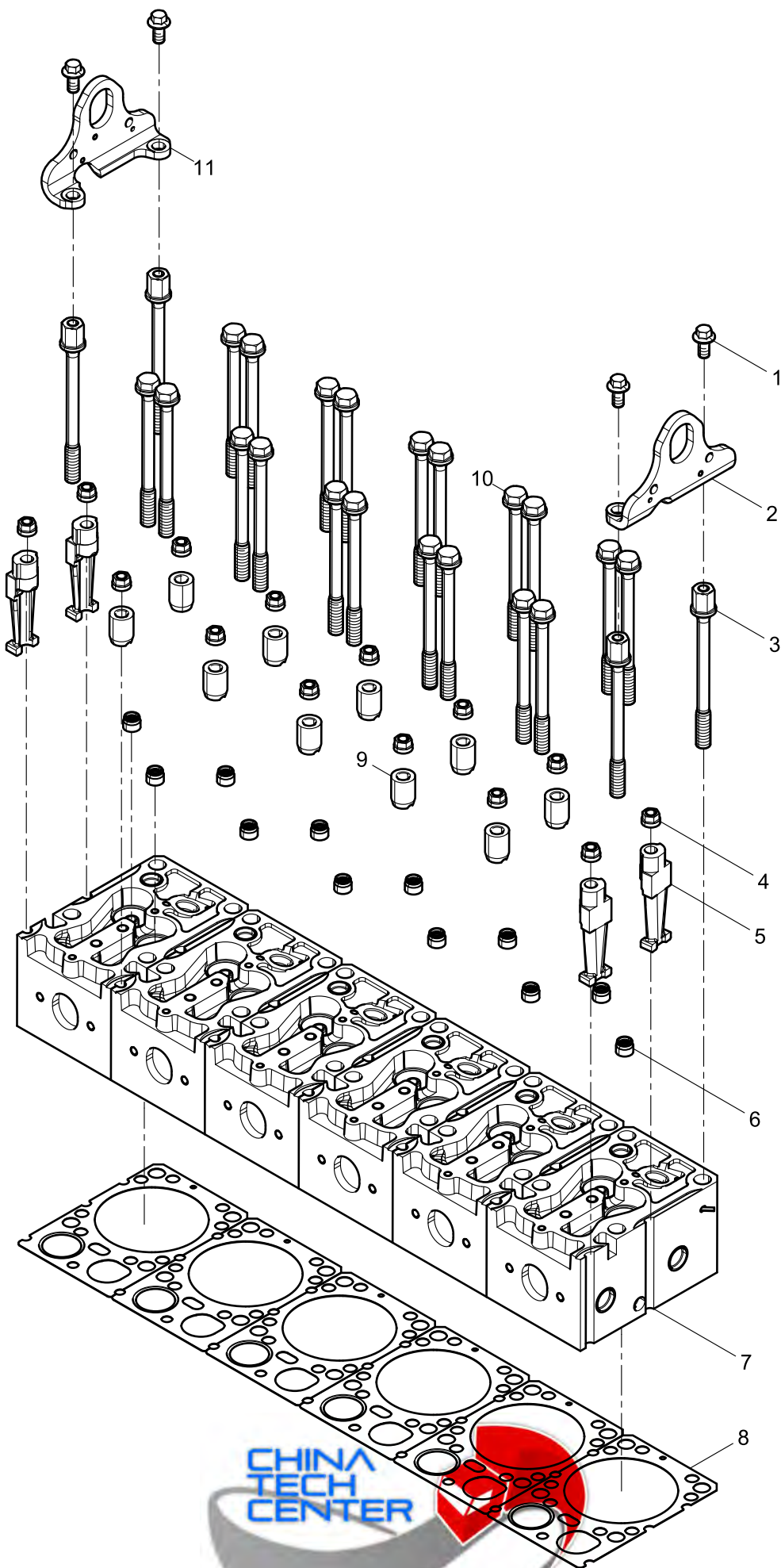
活塞环组件(Piston ring assembly)



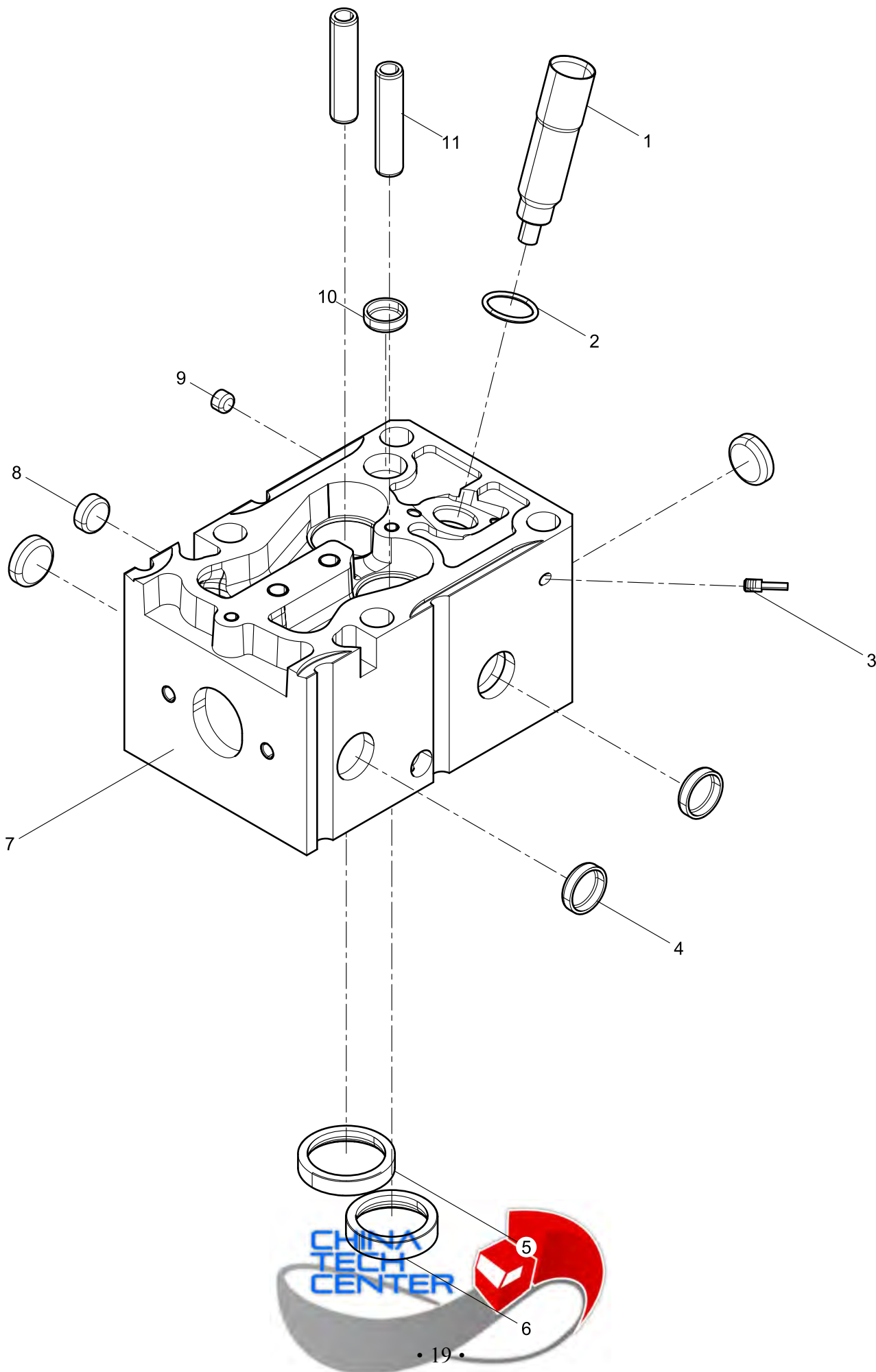
CHINA
TECH
CENTER



气缸盖结合组(Cylinder head assembly)



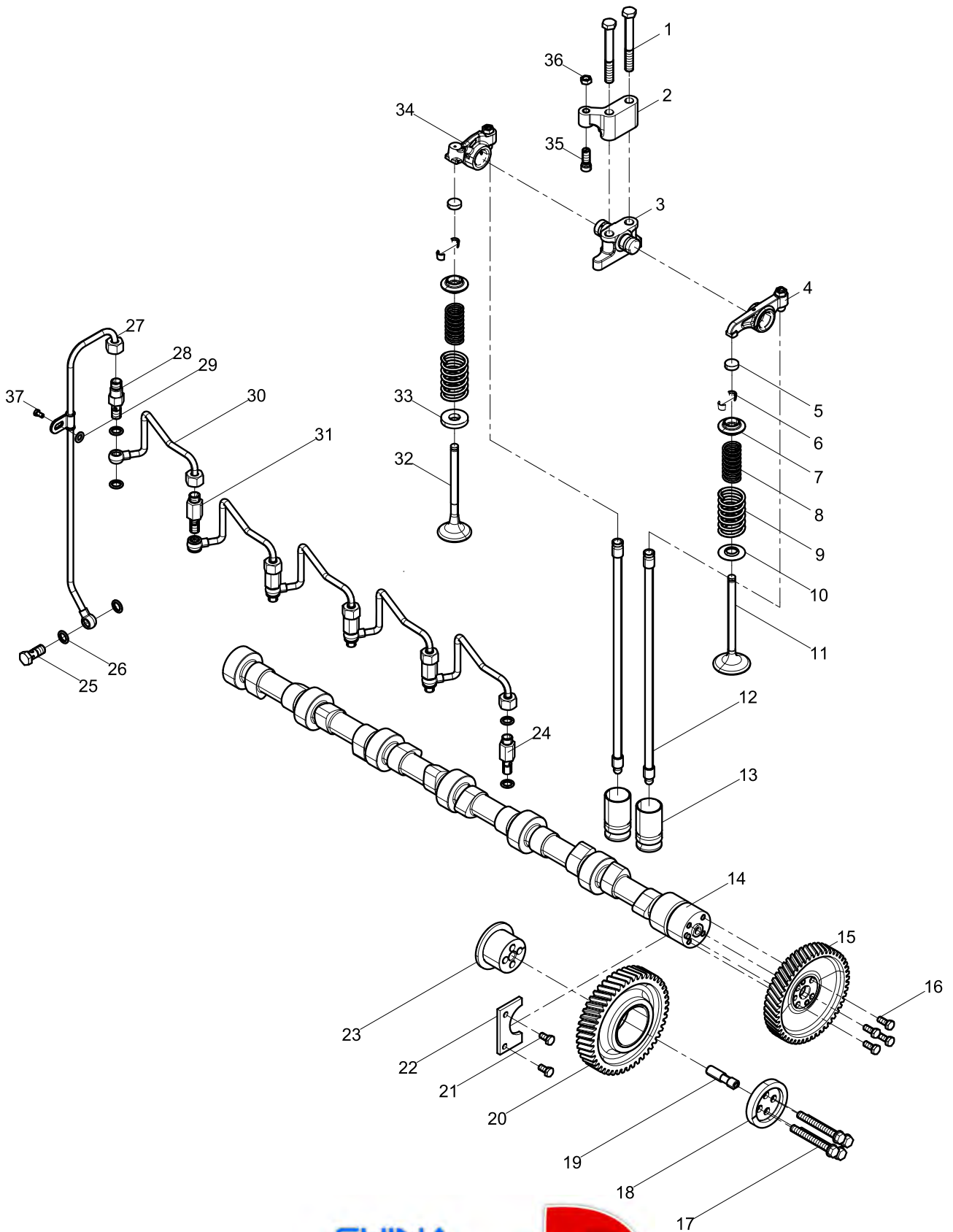
气缸盖分总成(Cylinder head subassembly)



气缸盖分总成(Cylinder head subassembly)

图序号 Pos.	件号 Teile.Number	数量 Amount	中文名称 Denomination	英文名称 Designation
1	612600040235	6	喷油器衬套	Injector bushing
2	612600040240	6	密封圈	Seal washer
3	612600040228	6	拉铆钉	Tensioned rivet
4	90003989294	24	碗形塞	Corehole plug
5	61560040057	6	进气门座	Intake valve seat
6	81560040037	6	排气门座	Exhaust valve seat
7	612600040361	6	气缸盖	Cylinder head
8	90003989721	6	碗形塞片	Corehole plug
9	90003989277	6	碗形塞片	Corehole plug
10	90003989725	6	碗形塞片	Corehole plug
11	612600040113	12	气门导管	Valve guide

配气机构结合组(Valve Train Group)

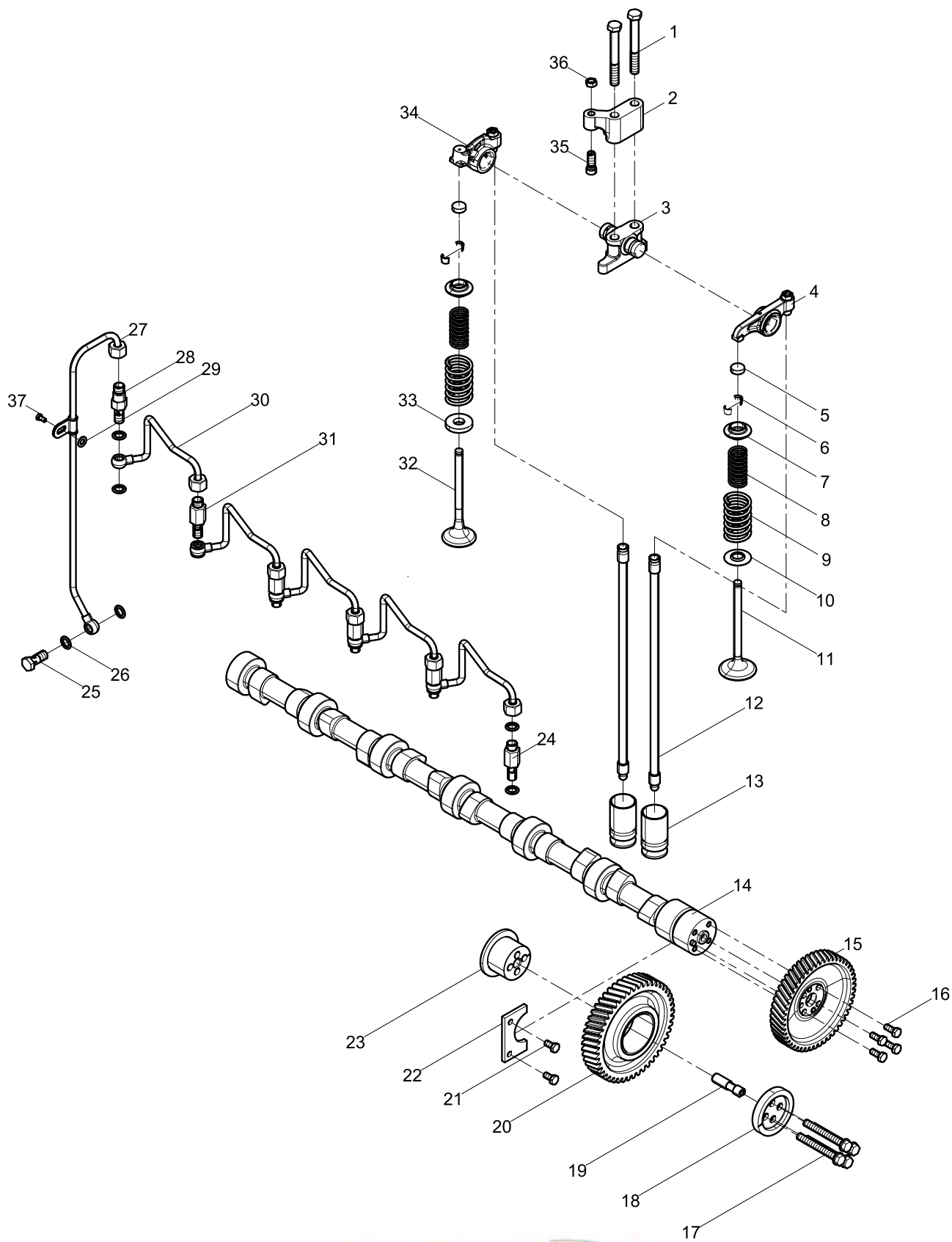


配气机构结合组(Valve Train Group)

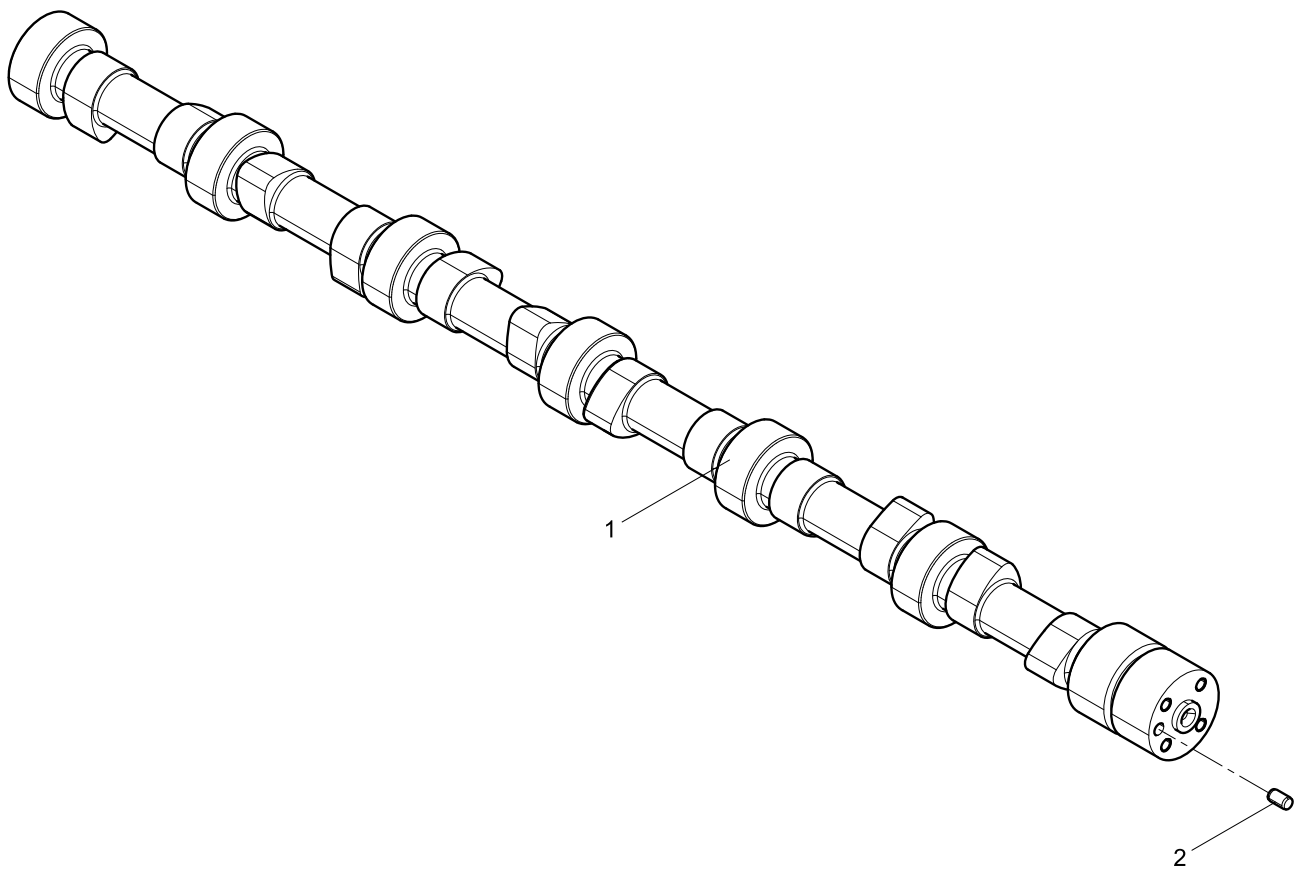
图序号 Pos.	件号 Teile.Number	数量 Amount	中文名称 Denomination	英文名称 Designation
1	90011350067	12	六角头螺栓	Hexagon bolt
2	612600050028	6	支撑臂	Carrying arm
3	612600050027	3	气门摇臂座总成	Valve rocker arm seat assembly
4	612600050177	6	进气门摇臂总成	Intake valve rocker arm
5	61500050105	12	气门帽	Valve cap
6	61500050025	24	气门锁夹	Valve collet
7	61500050109	12	气门弹簧上座	Valve spring seat (upper)
8	61500050001	12	气门内弹簧	Inner valve spring
9	61500050002	12	气门外弹簧	Outer valve spring
10	614050017	6	进气门弹簧下座	Intake valve spring seat (lower)
11	612600050073	6	进气门	Intake valve
12	612600050210	12	推杆	Push rod
13	61500050032	12	气门挺柱	Tappet
14	612600050087	1	凸轮轴总成	Camshaft assembly
15	614050053	1	凸轮轴正时齿轮	Camshaft timing gear
16	612600050145S	4	六角头螺栓	Hexagon bolt
17	61560050059S	4	六角头螺栓	Hexagon bolt
18	61560050045	1	垫片	Gasket
19	61560050058	1	轴	Shaft
20	61560050053	1	中间齿轮总成	Intermediate gear assembly
21	90003802399S	2	六角头螺栓	Hexagon bolt
22	614050133	1	凸轮轴止推片	Camshaft thrust
23	61560050044	1	中间齿轮轴	Intermediate gear shaft
24	612600050041	1	螺纹接头	Screw joint
25	612600050039	1	空心螺栓	Hollow bolt
26	612600050042	13	密封垫圈	Seal washer
27	612600050123	1	EV8进油长管	EV8 fuel inlet pipe assembly (long)



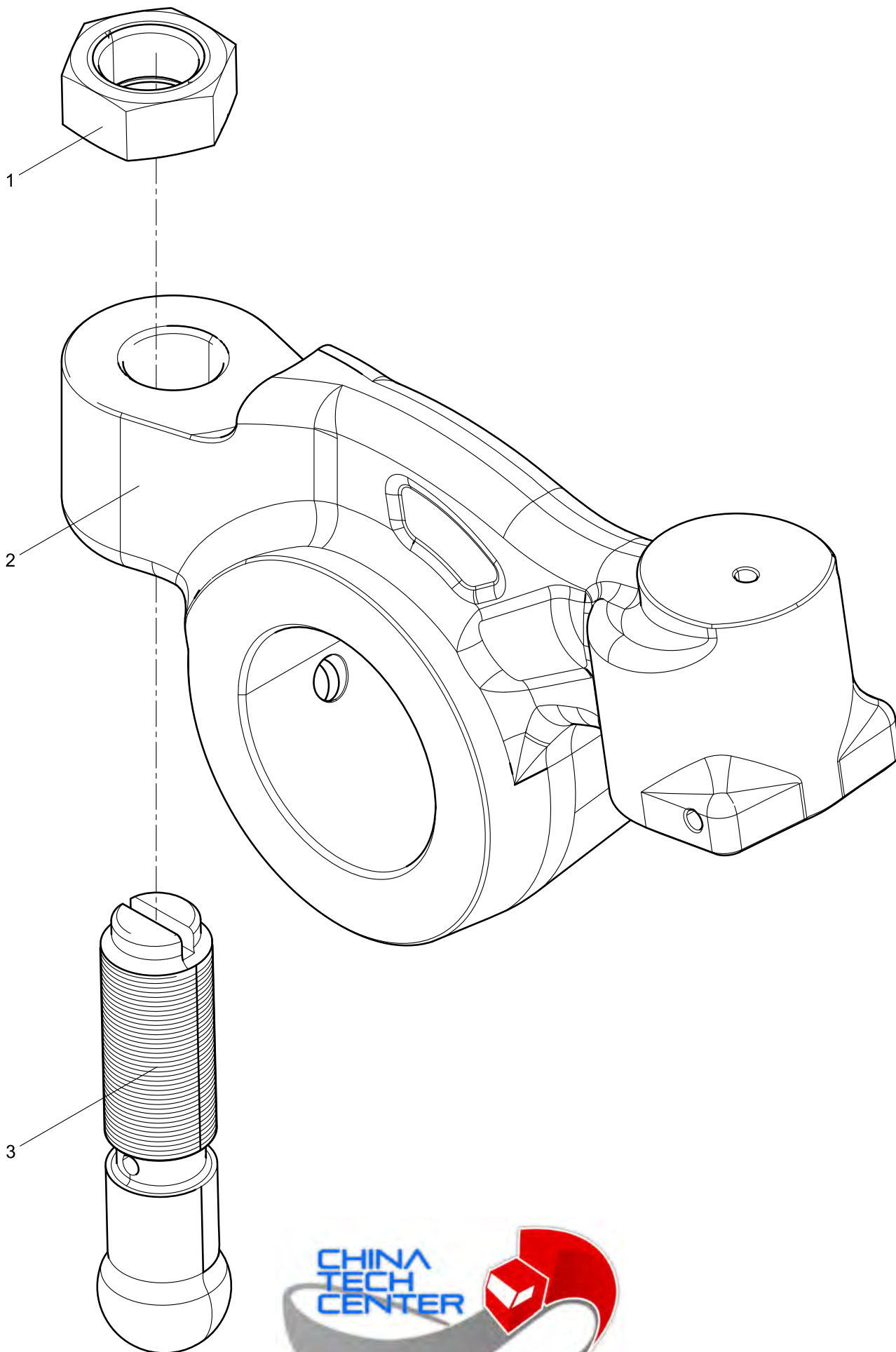
配气机构结合组(Valve Train Group)



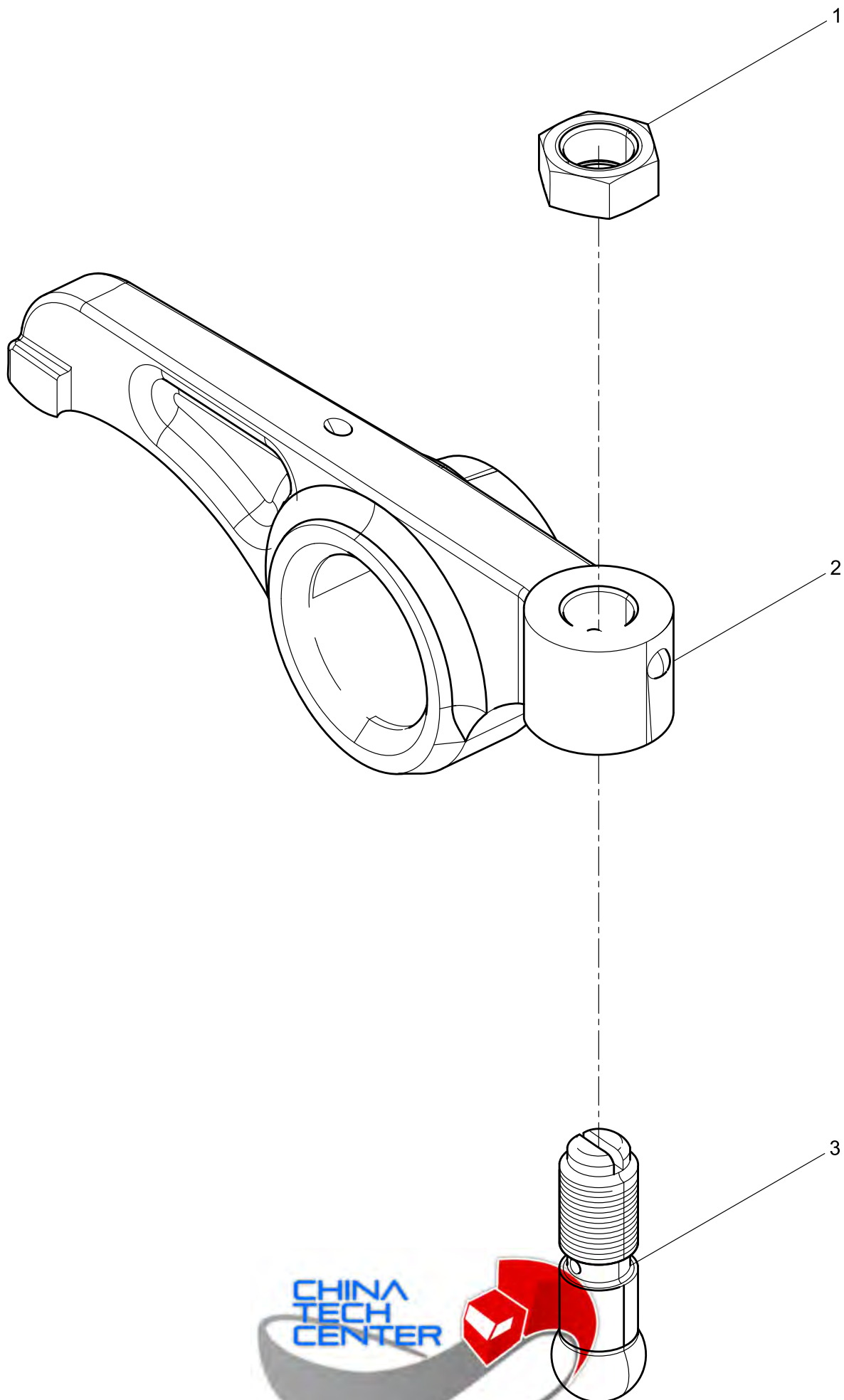
凸轮轴总成(Camshaft assembly)



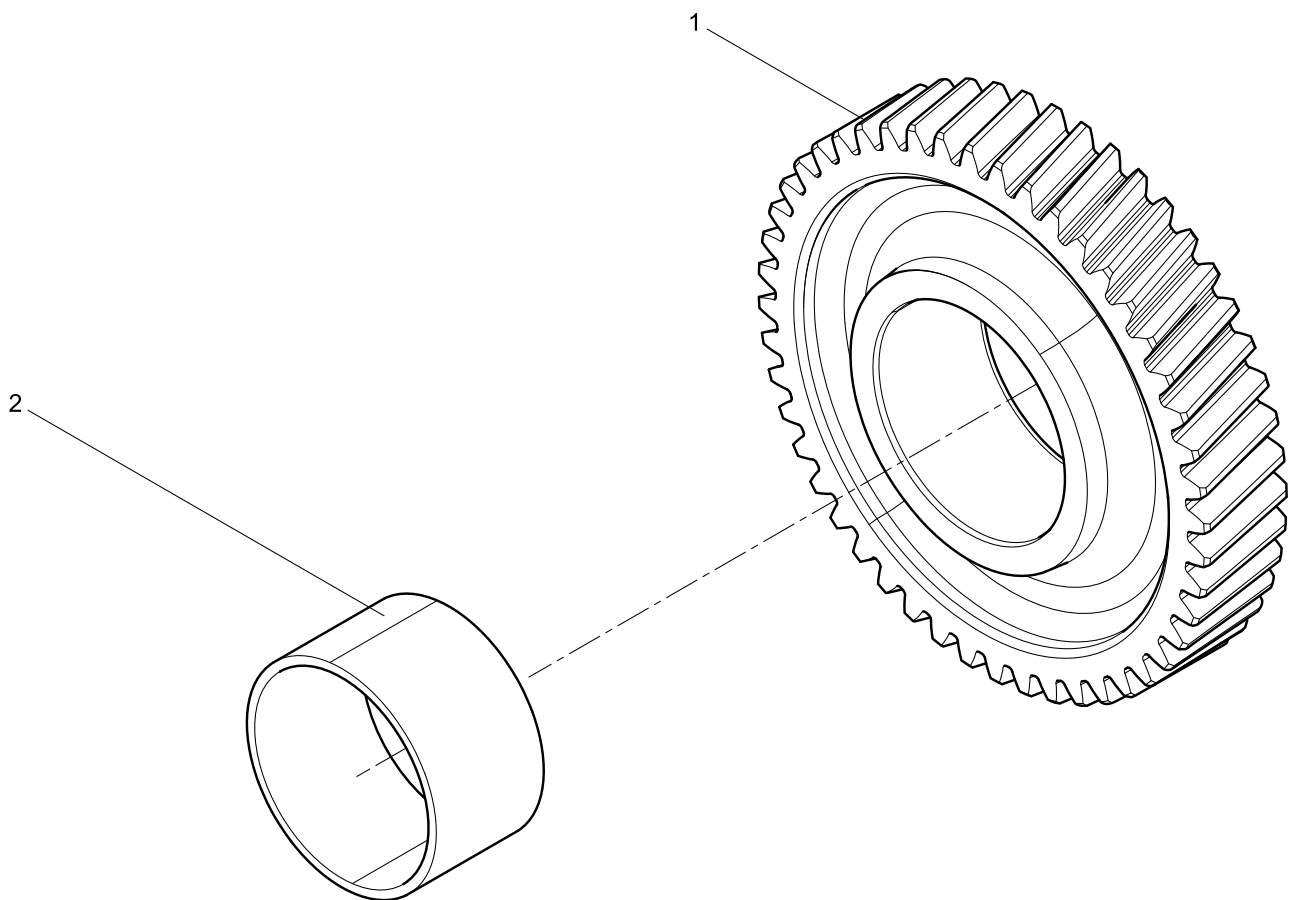
EVB排气摇臂组件(EVB Exhaust Rocker Arm Set)



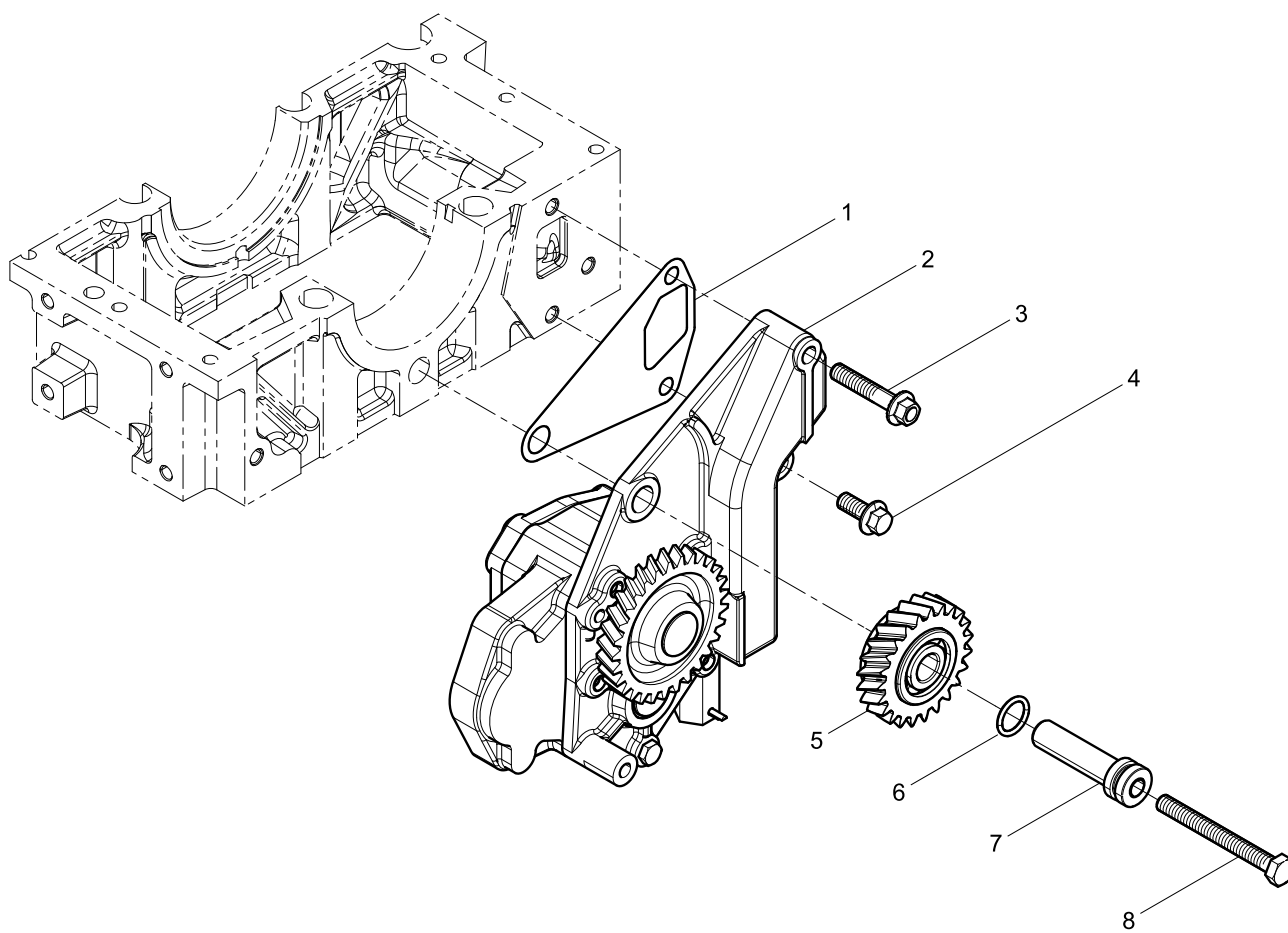
进气门摇臂总成(Intake valve rocker arm)



中间齿轮总成(Intermediate gear assembly)



机油泵结合组(Oil pump assembly)

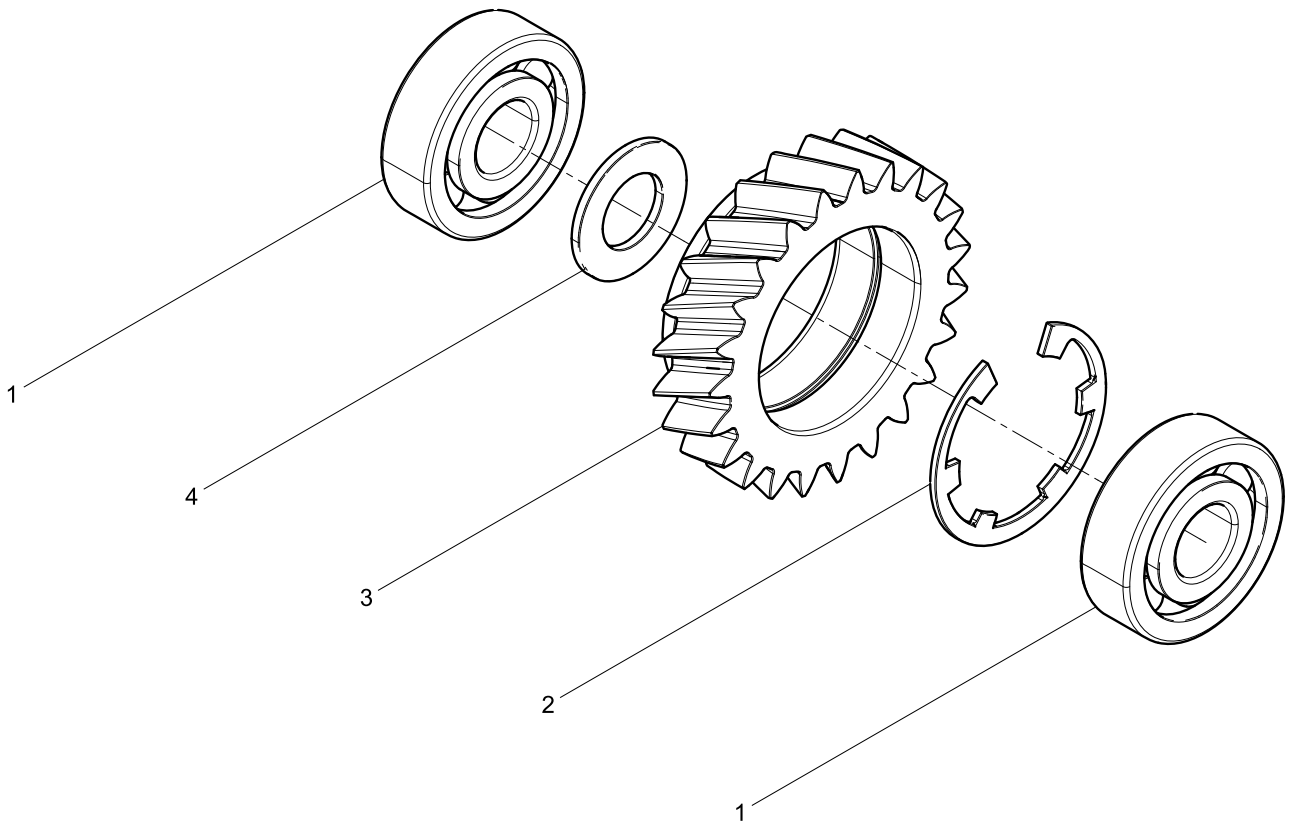


机油泵结合组(Oil pump assembly)

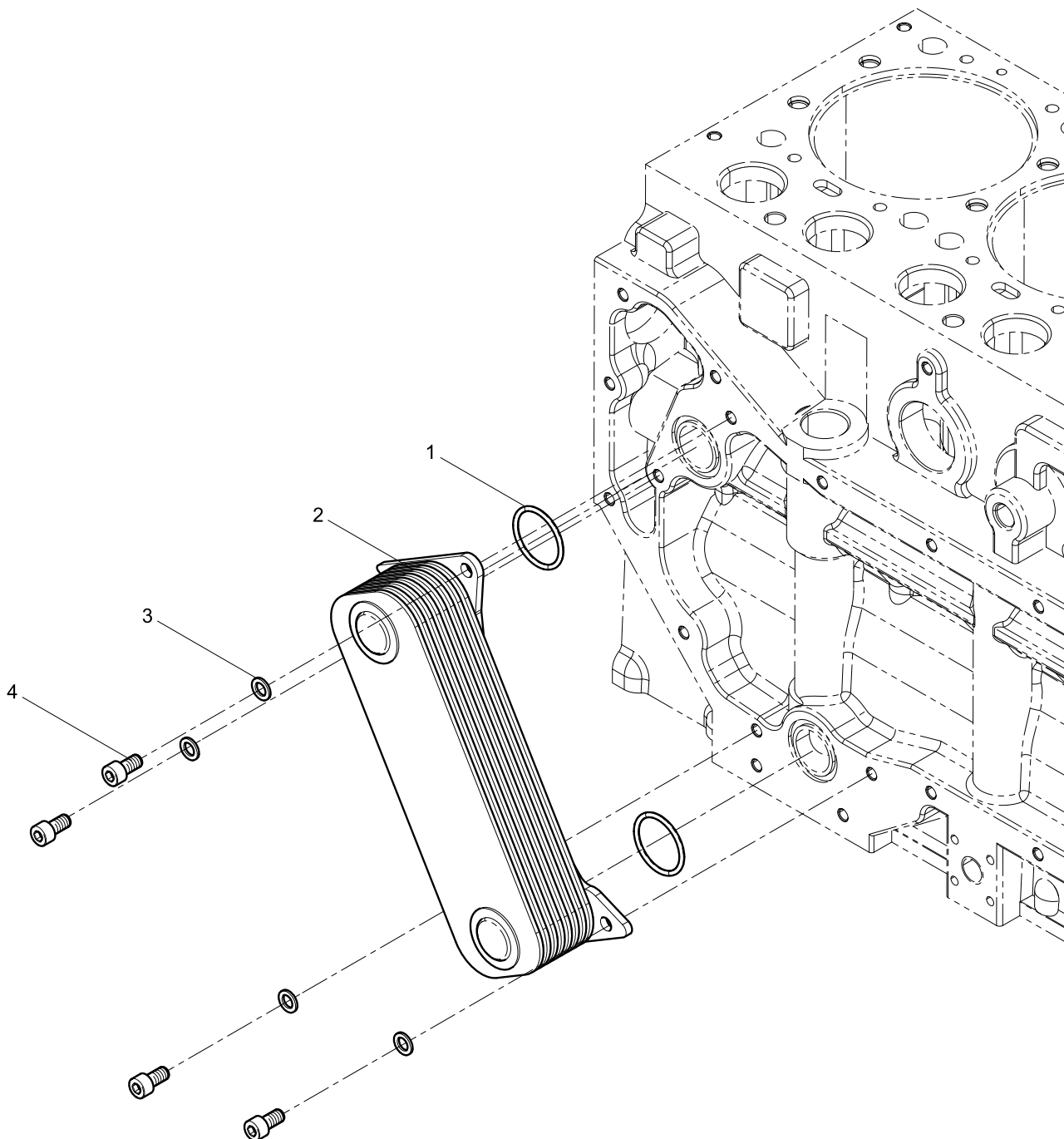
图序号 Pos.	件号 Teile.Number	数量 Amount	中文名称 Denomination	英文名称 Designation
1	614070055	1	机油泵垫片	Oil pump gasket
2	612600070465	1	机油泵	Oil pump
3	612600070411	1	六角法兰面承面带齿螺栓	Hexagon Flange Bolt
4	90011430008	1	六角法兰面承面带齿螺栓	Hexagon Flange Bolt
5	612600070364	1	机油泵中间齿轮组件	Oil Pump Idle Gear Assembly
6	614070155	1	密封圈	Seal washer
7	6140756	1	中间齿轮轴	Intermediate gear shaft
8	90003802578S	1	六角头螺栓	Hexagon bolt



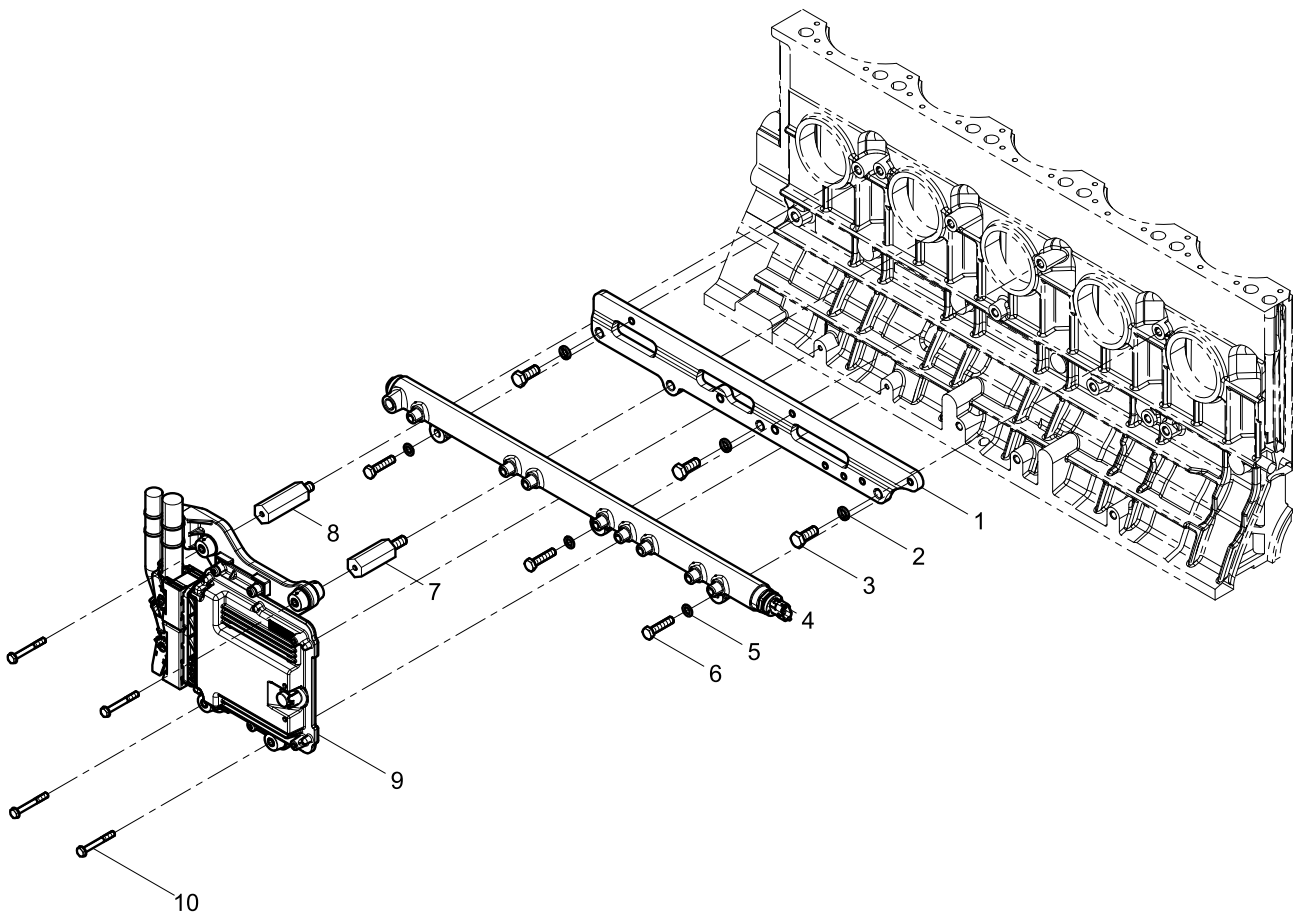
机油泵中间齿轮组件(Oil Pump Idle Gear Assembly)



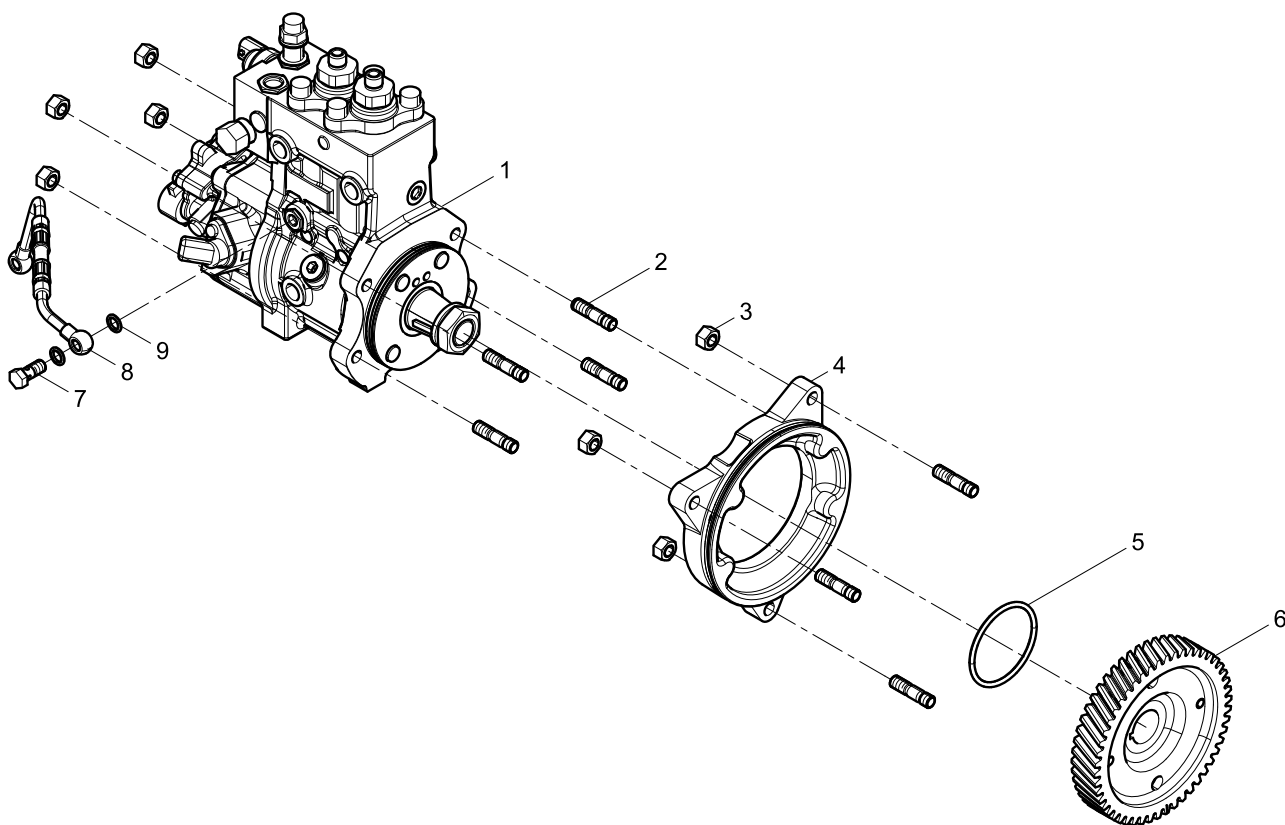
机油冷却器结合组(Oil cooler assembly)



共轨系统结合组()



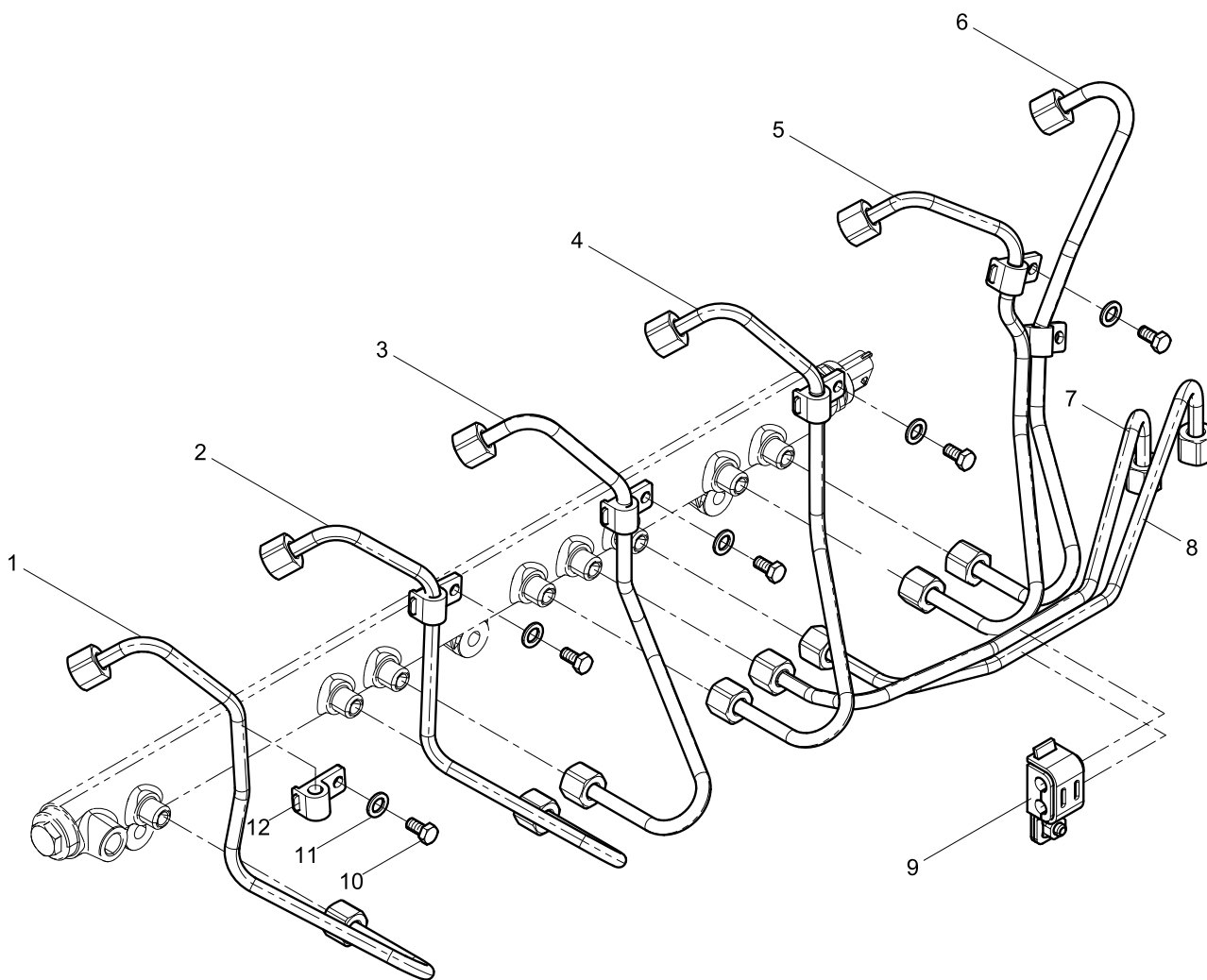
高压油泵结合组(High pressure pump assembly)



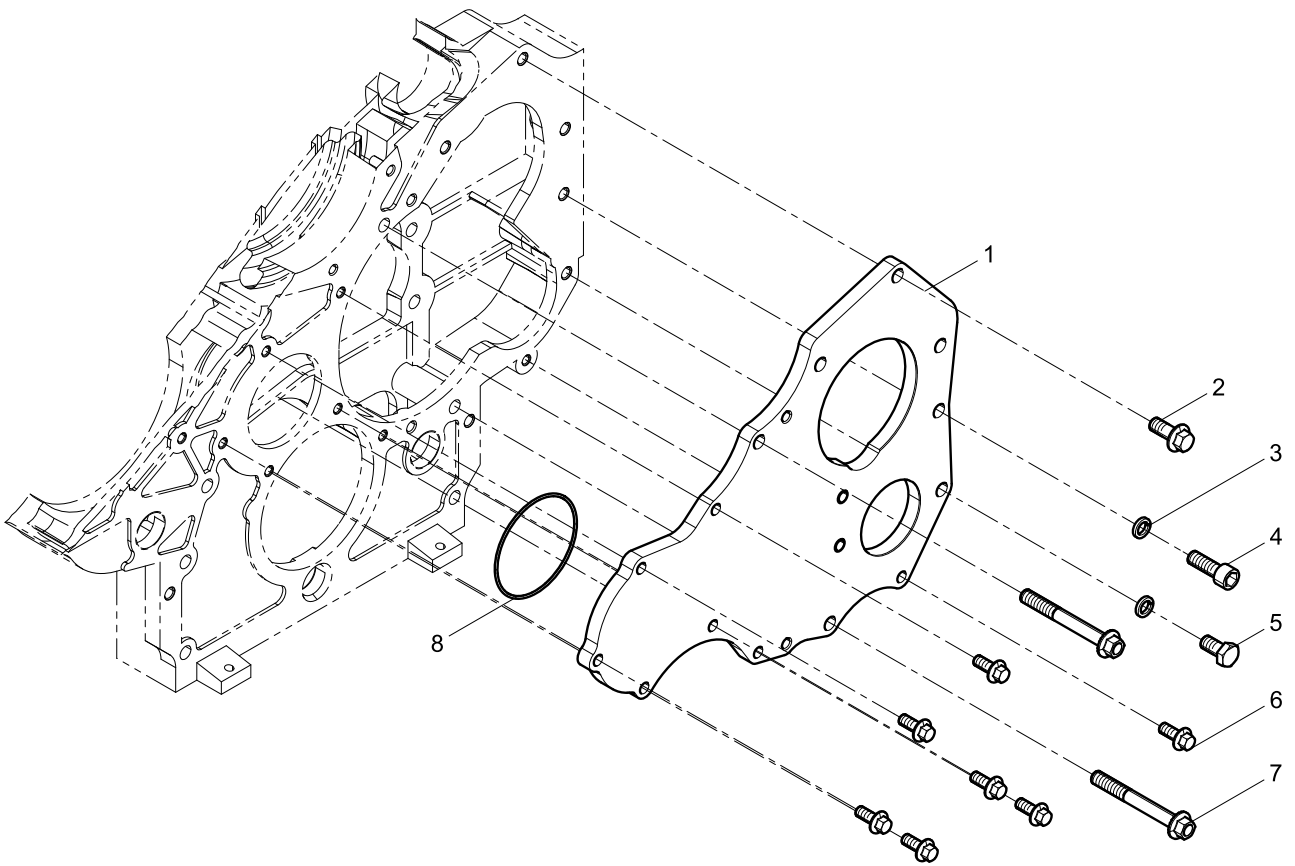
高压油泵结合组(High pressure pump assembly)

图序号 Pos.	件号 Teile.Number	数量 Amount	中文名称 Denomination	英文名称 Designation
1	612640080015	1	高压油泵	High pressure pump
2	90003813532S	7	双头螺柱	Stud
3	90003888452	7	2型全金属六角锁紧螺母	Prevailing Torque Type All-metal Hexagon Nut,
4	612600080486	1	喷油泵法兰	Injection pump flange
5	612600080400	1	密封圈	Seal washer
6	612600080452	1	喷油泵齿轮	Injection pump gear
7	612639000047	2	空心螺栓	Hollow bolt
8	612600070309	1	润滑油进油管组件	Oil inlet pipe assembly
9	612600080246	4	密封垫圈	Seal washer

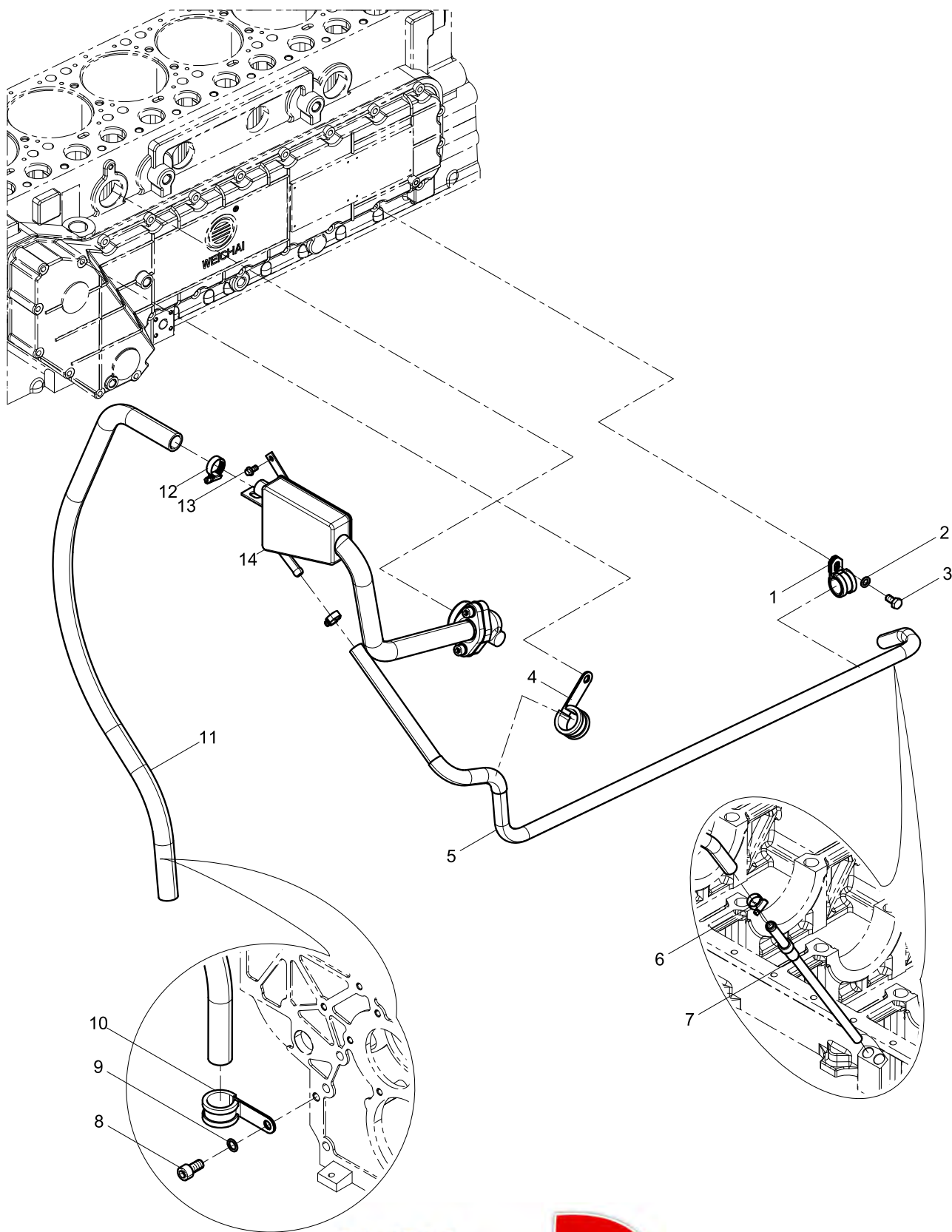
高压油管组件(High pressure pipe assembly)



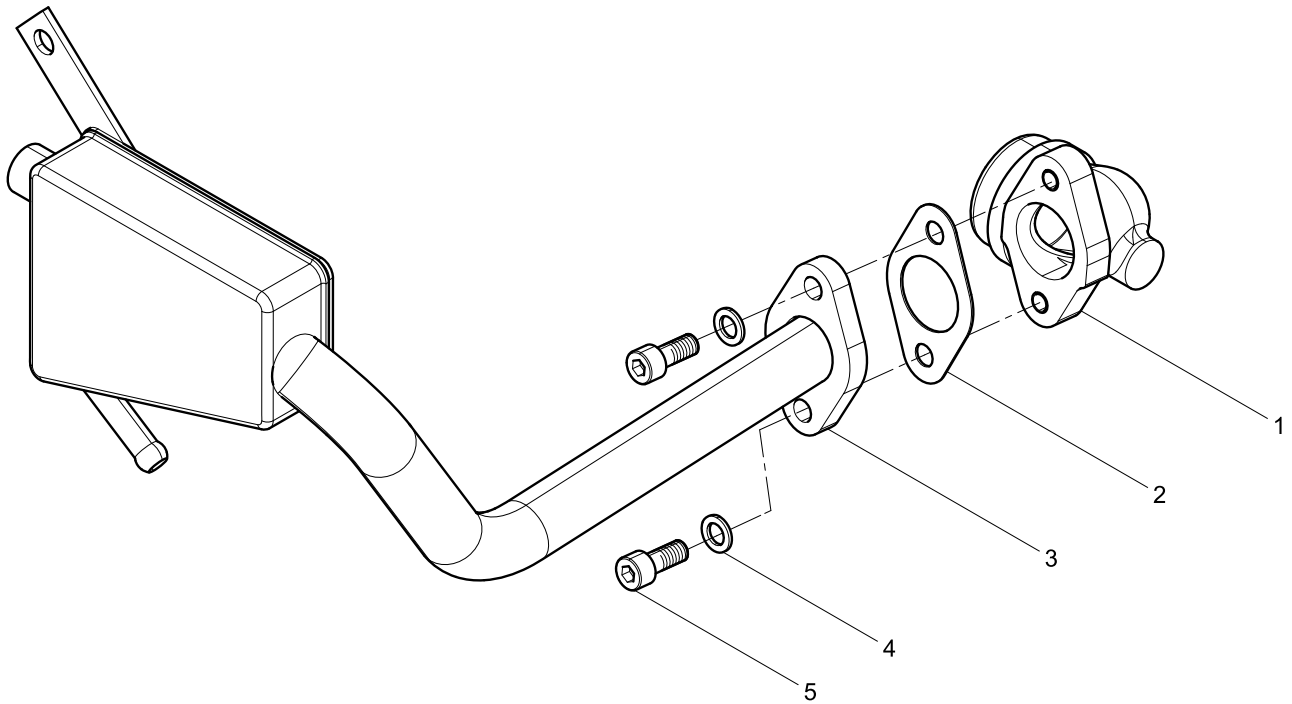
端盖结合组()



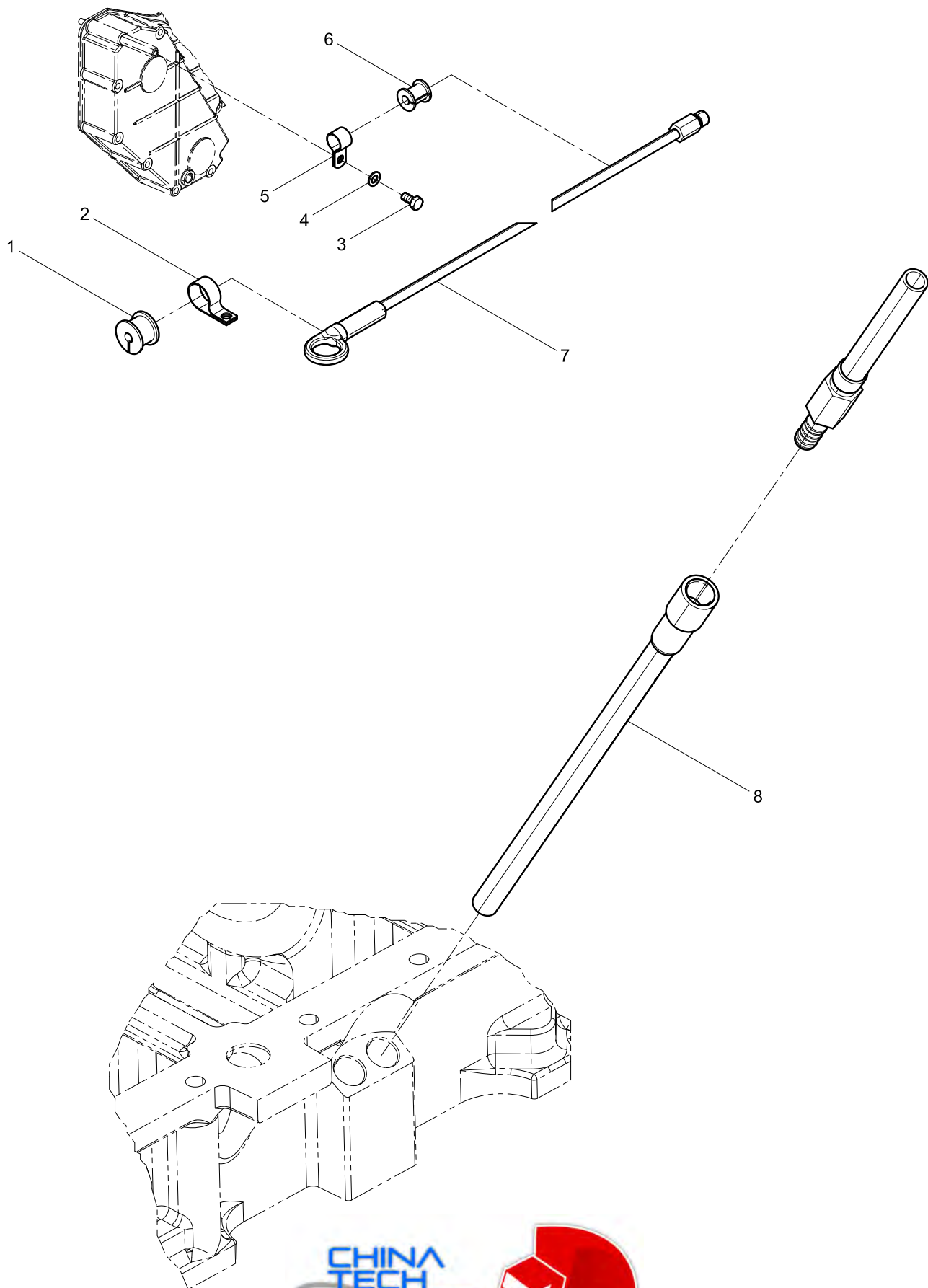
油气分离器结合组(Oil-gas Separator Group)



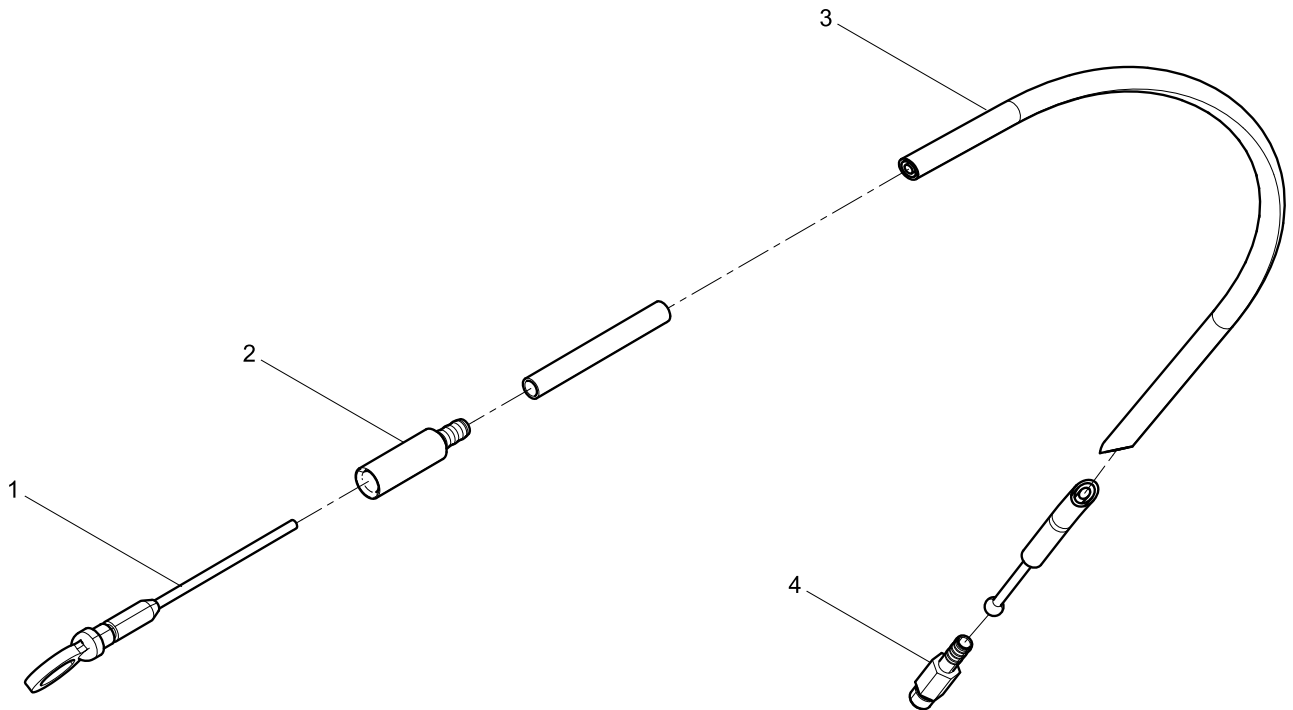
油气分离器总成(Oil-gas separator assembly)



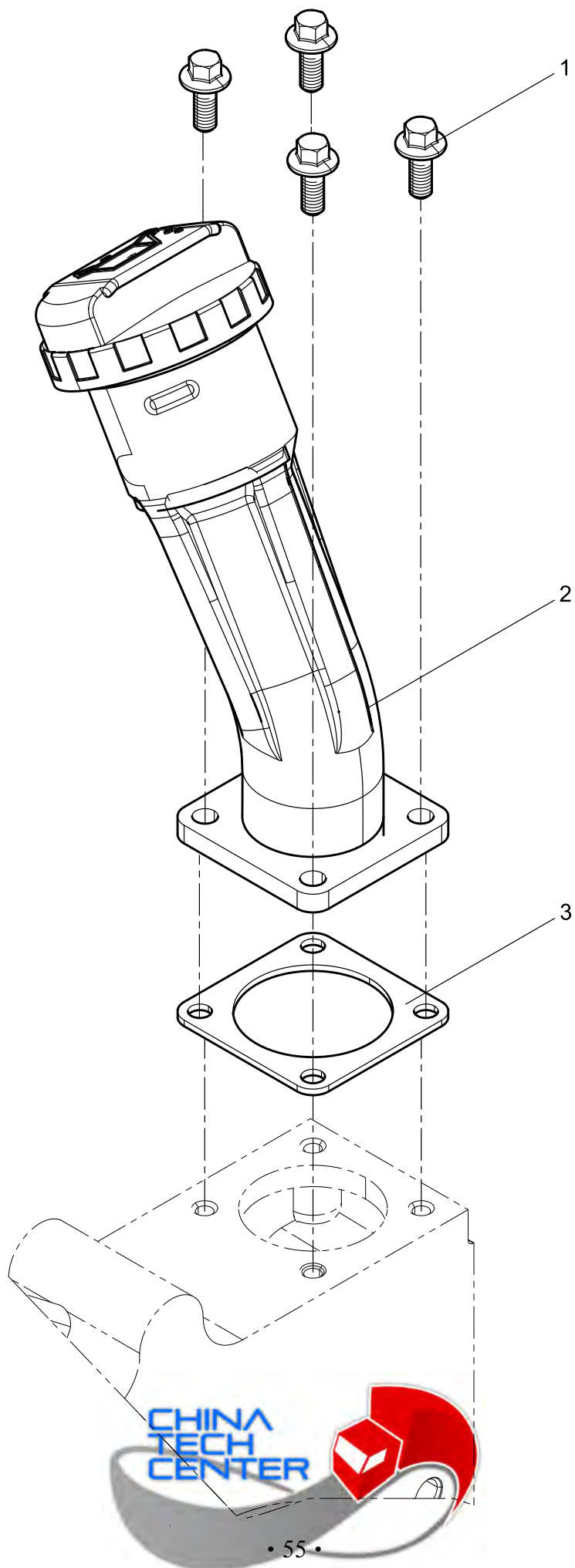
油尺结合组(Dipstick Group)



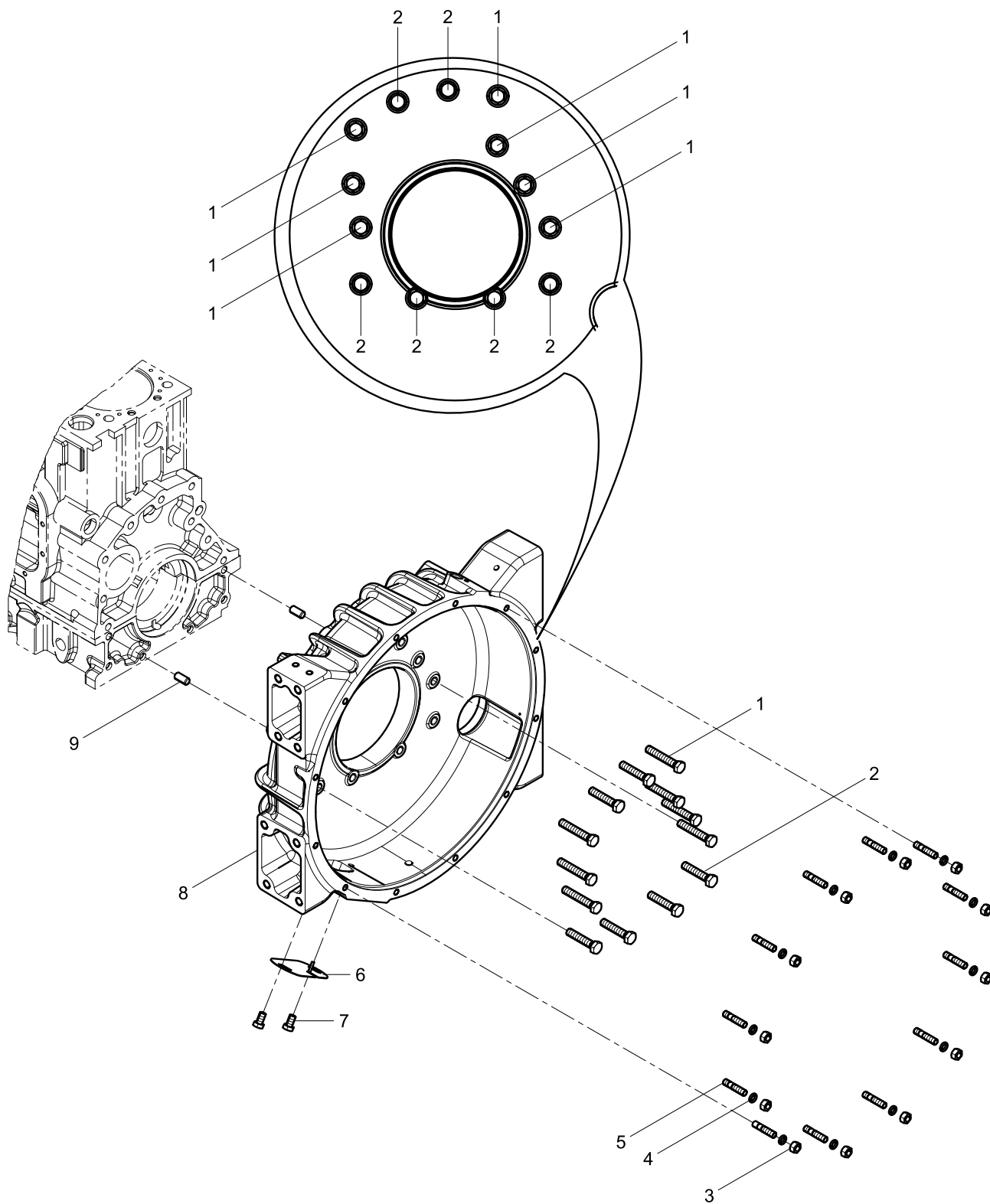
油标尺总成(Oil dipstick assembly)



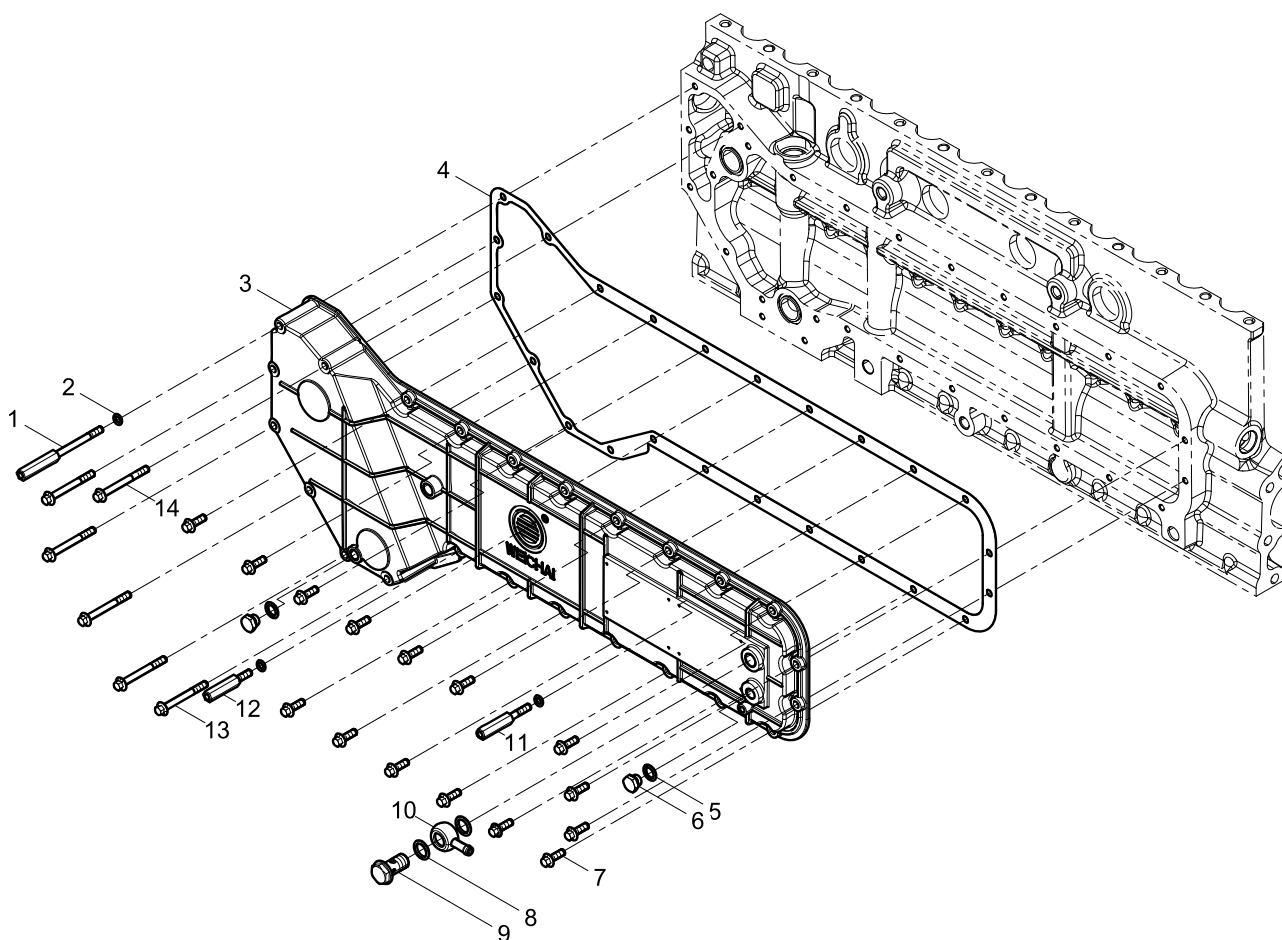
加油管结合组(Oil Tilling Tube Group)



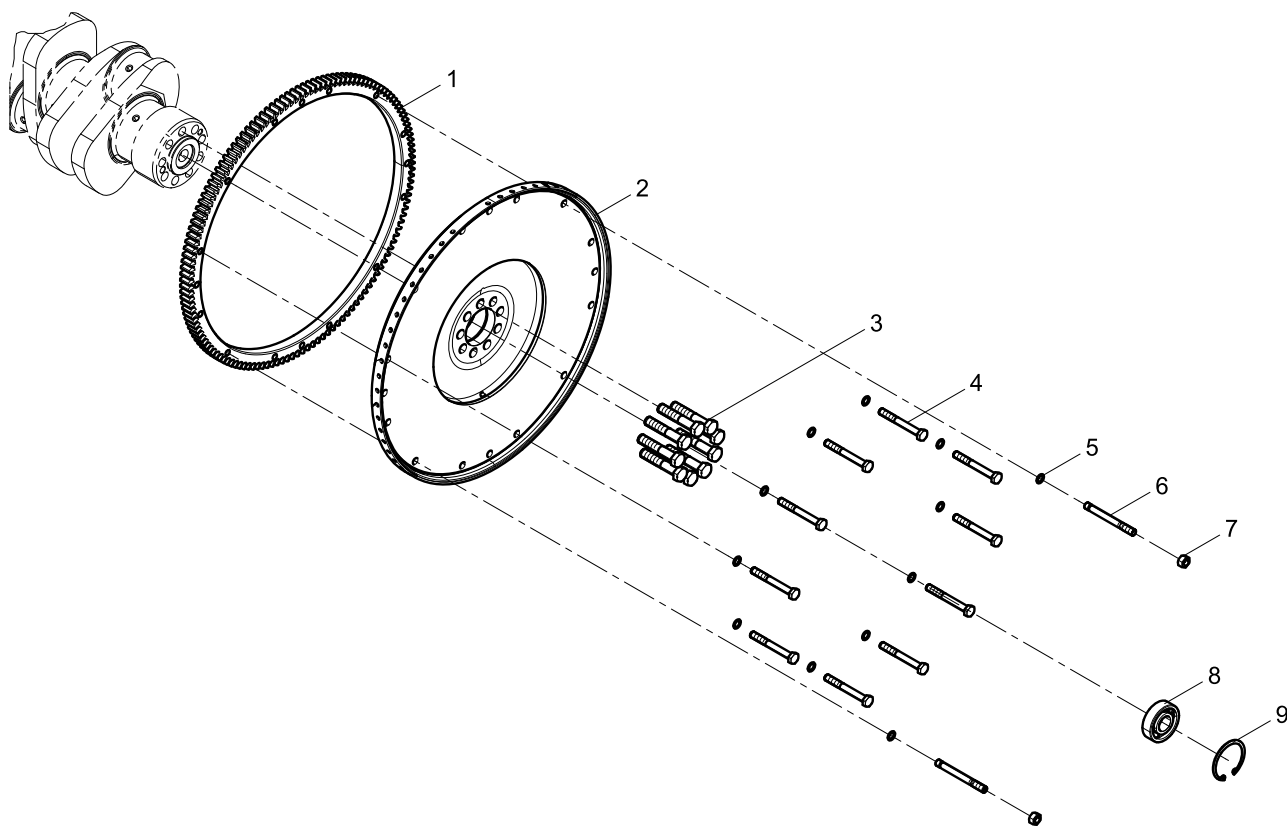
飞轮壳结合组(Flywheel Housing Group)



机油冷却器盖结合组()



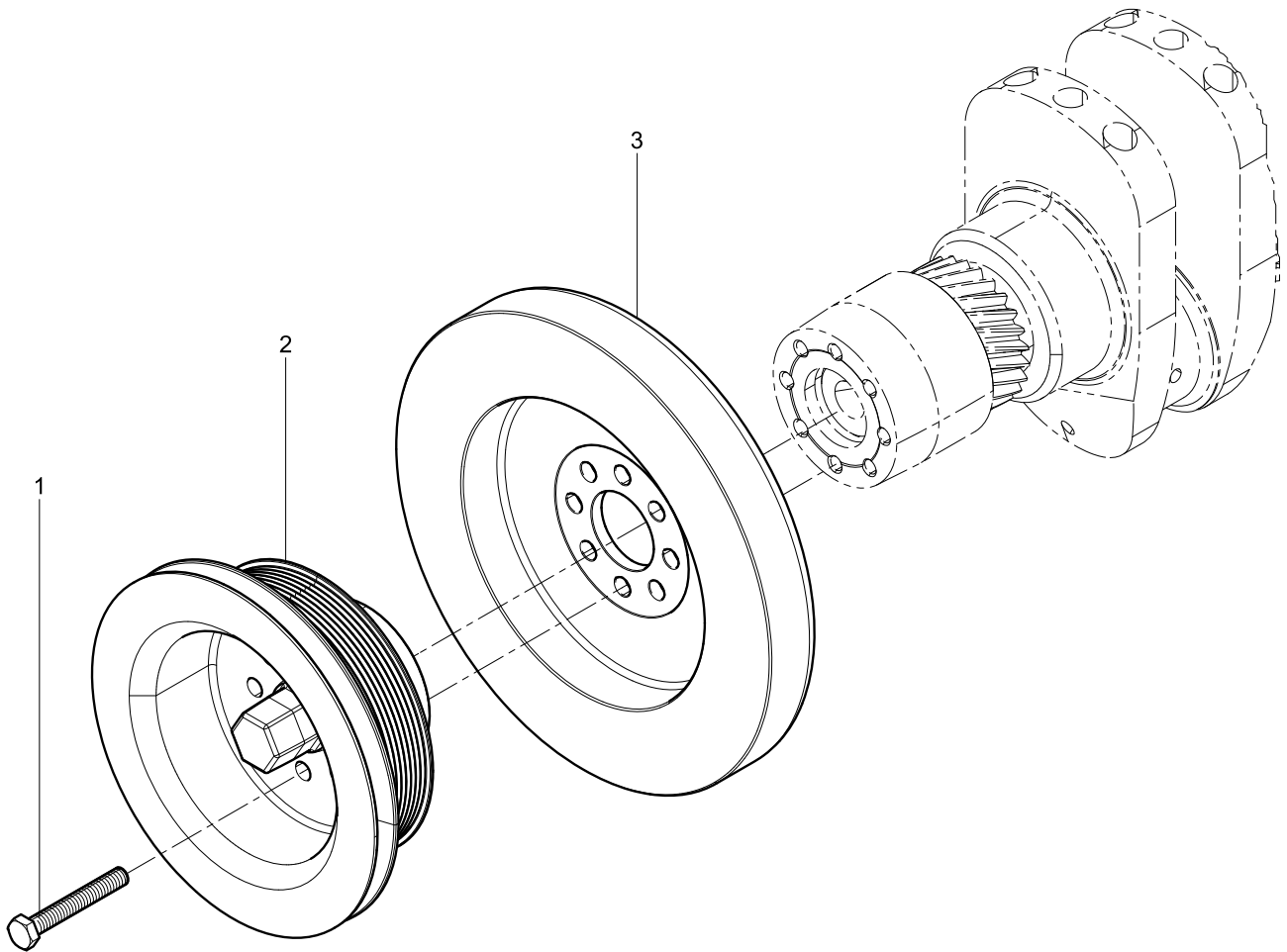
飞轮结合组(Flywheel Group)



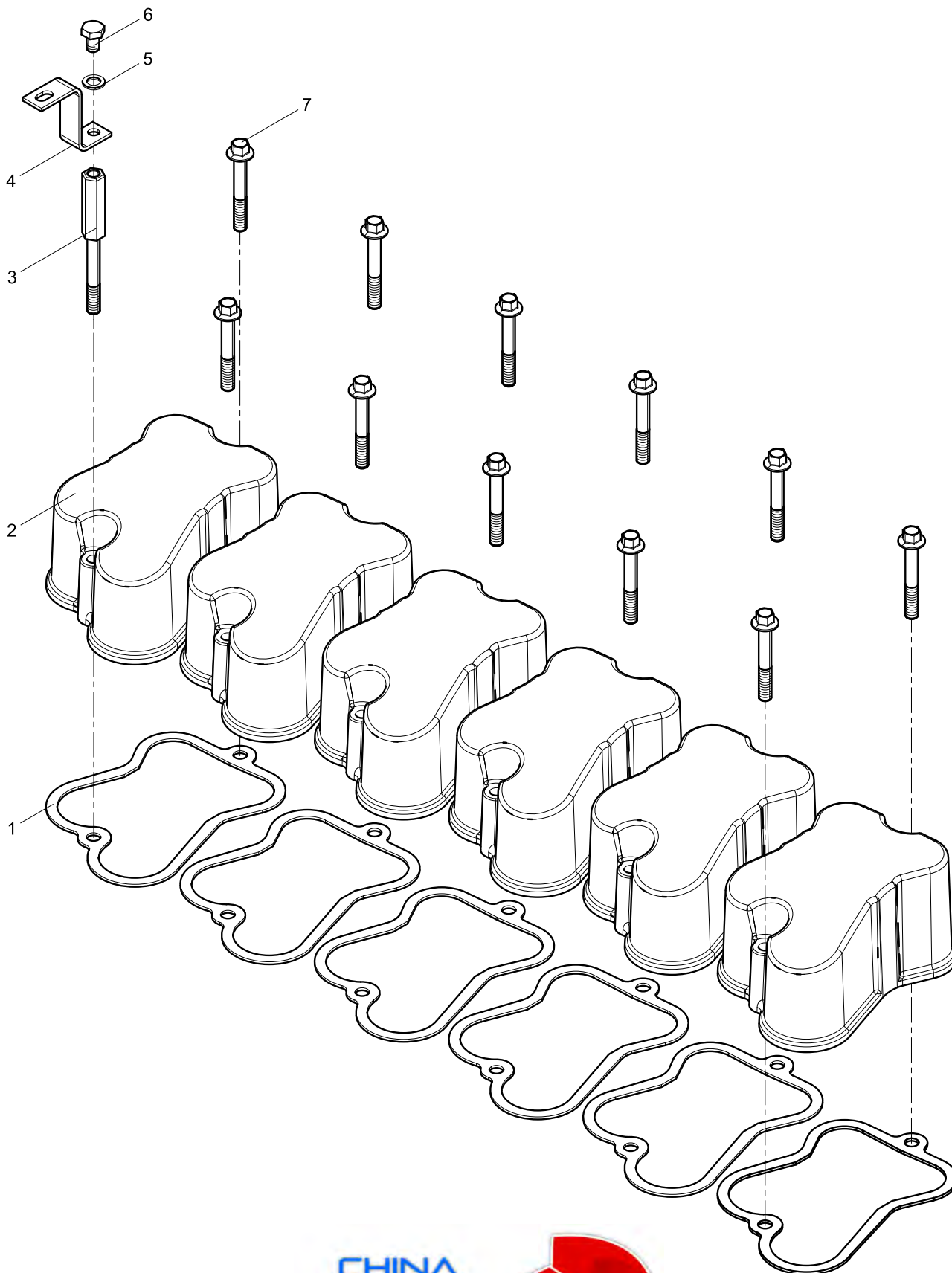
飞轮结合组(Flywheel Group)

图序号 Pos.	件号 Teile.Number	数量 Amount	中文名称 Denomination	英文名称 Designation
1	612600020208	1	飞轮齿圈	Flywheel ring gear
2	612600020354	1	飞轮	Flywheel
3	61500020046	9	六角头螺栓	Hexagon bolt
4	90003800579	10	六角头螺栓	Hexagon bolt
5	90003932024	12	波形弹性垫圈	Wave spiral washer
6	90003813571	2	双头螺柱	Stud
7	90003871305	2	1型六角螺母	Hexagon nut (I)
8	90003311416	1	向心球轴承	Centripetal ball bearing
9	90003934310	1	孔用弹性档圈	Circlip for hole

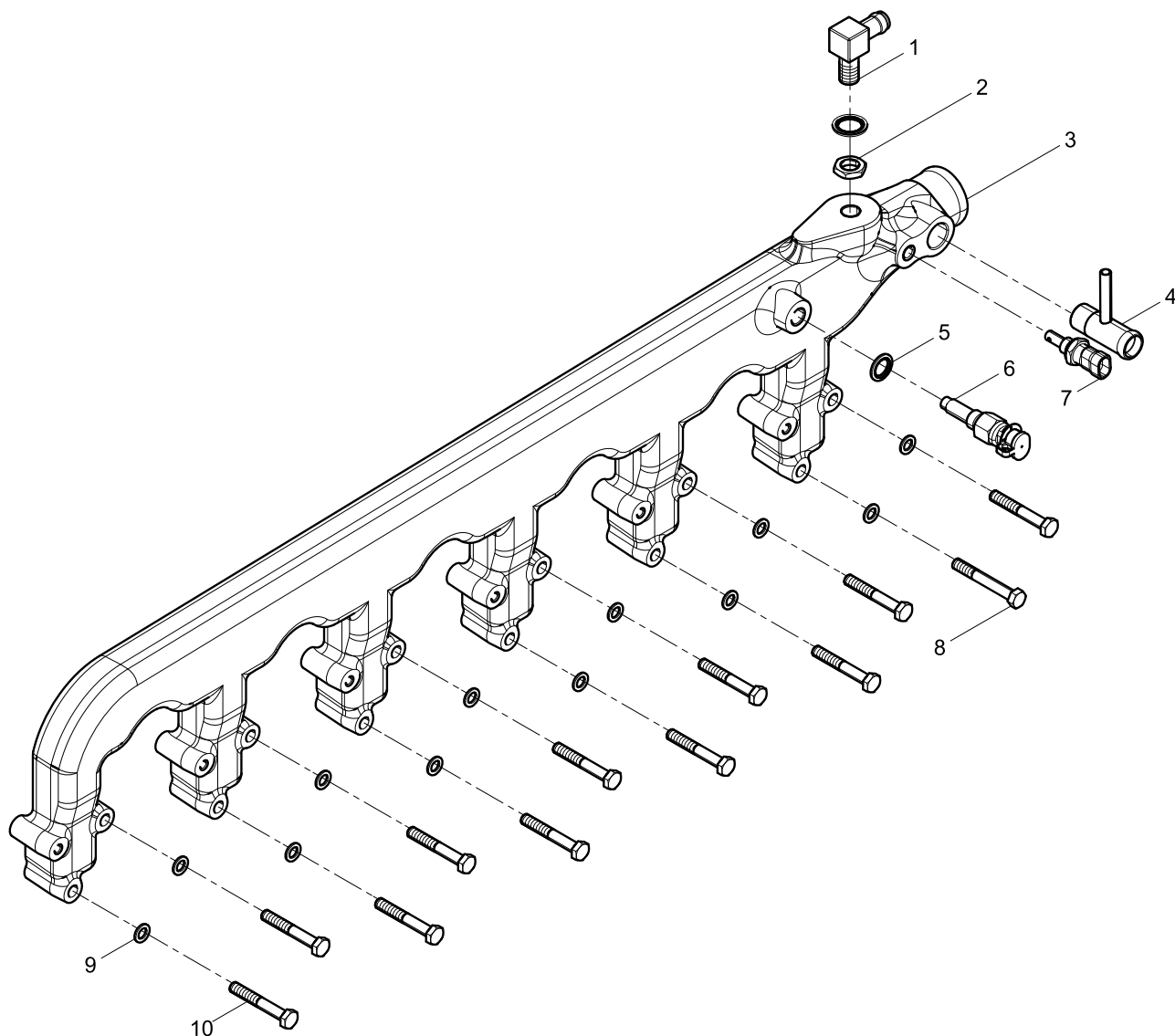
曲轴皮带轮结合组(Crankshaft Pulley Group)



气缸盖罩组件()



出水管结合组(Water Outlet Pipe Group)

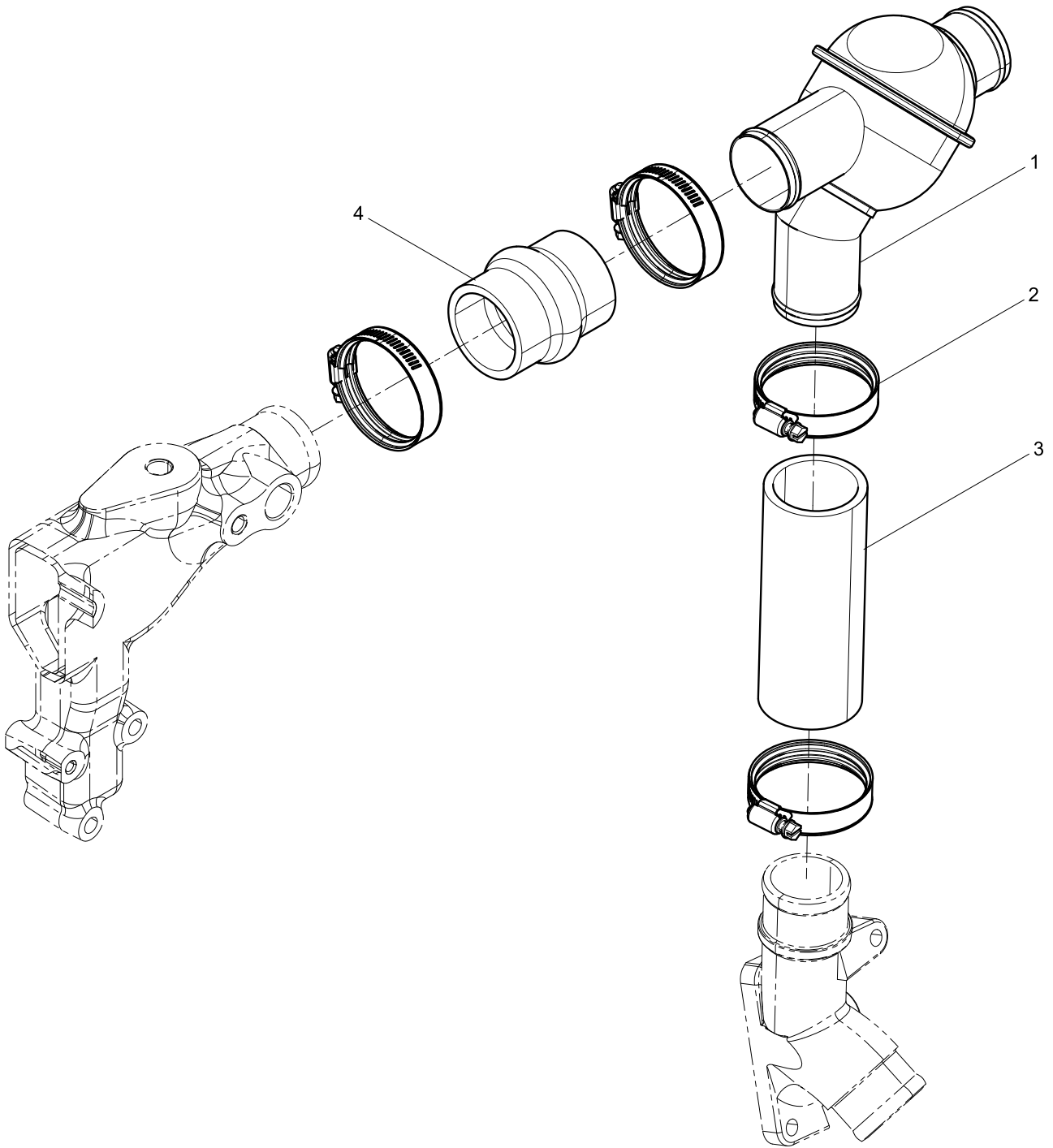


出水管结合组(Water Outlet Pipe Group)

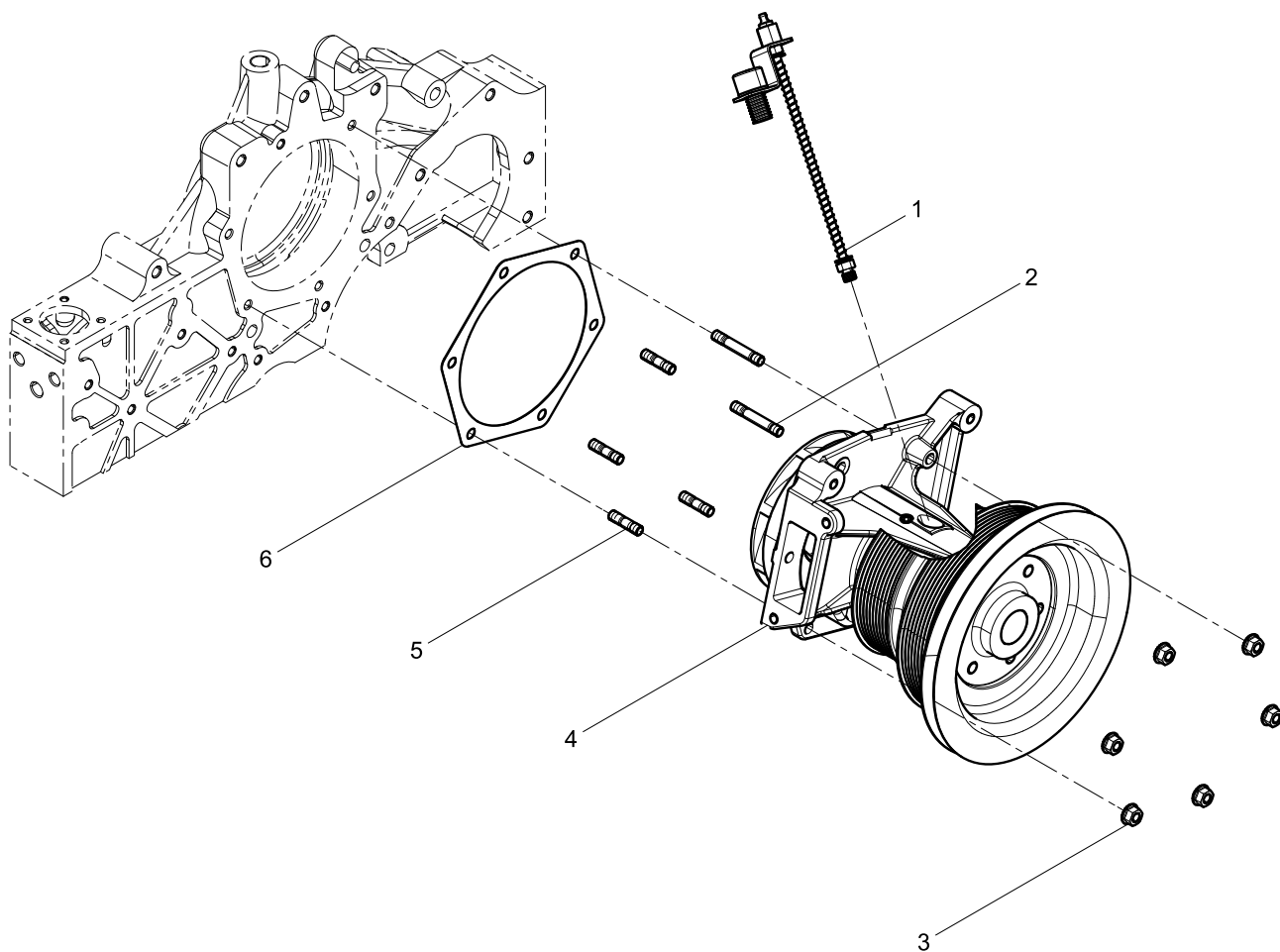
图序号 Pos.	件号 Teile.Number	数量 Amount	中文名称 Denomination	英文名称 Designation
1	612600061395	1	水管接头	Water pipe joint
2	90012660001	1	六角薄螺母	Hexagon nut
3	612600040241	1	出水管	Water outlet pipe
4	61500060045	1	管接头组件	Adapter assembly
5	612600080200	2	密封垫圈	Seal washer
6	612600090792	1	温度传感器	Temperature sensor
7	612630060035	1	传感器	Sensor
8	90003800466	1	六角头螺栓	Hexagon bolt
9	90003932023	12	波形弹性垫圈	Wave spiral washer
10	90003802455	11	六角头螺栓	Hexagon bolt



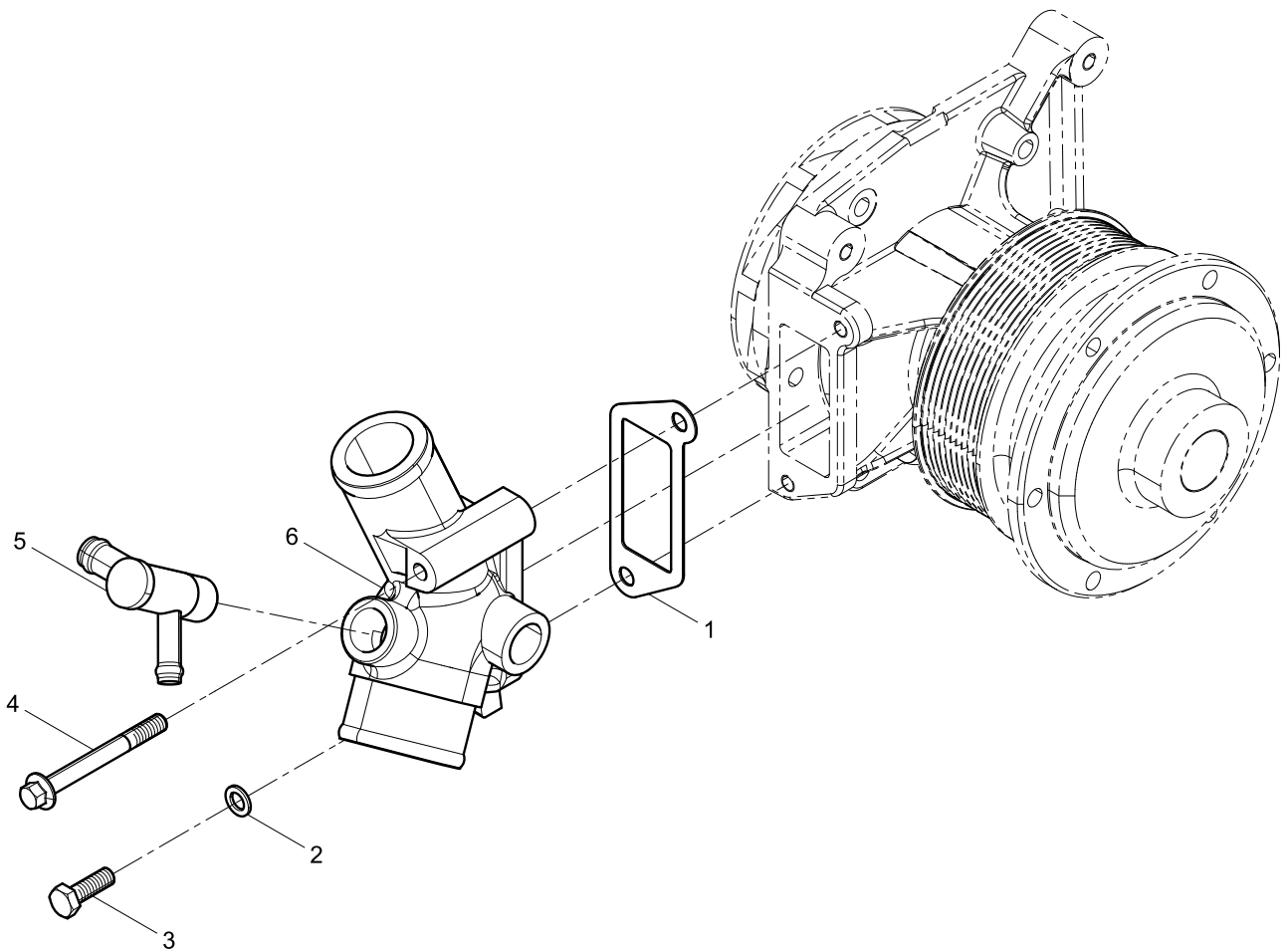
节温器结合组(Thermostat Group)



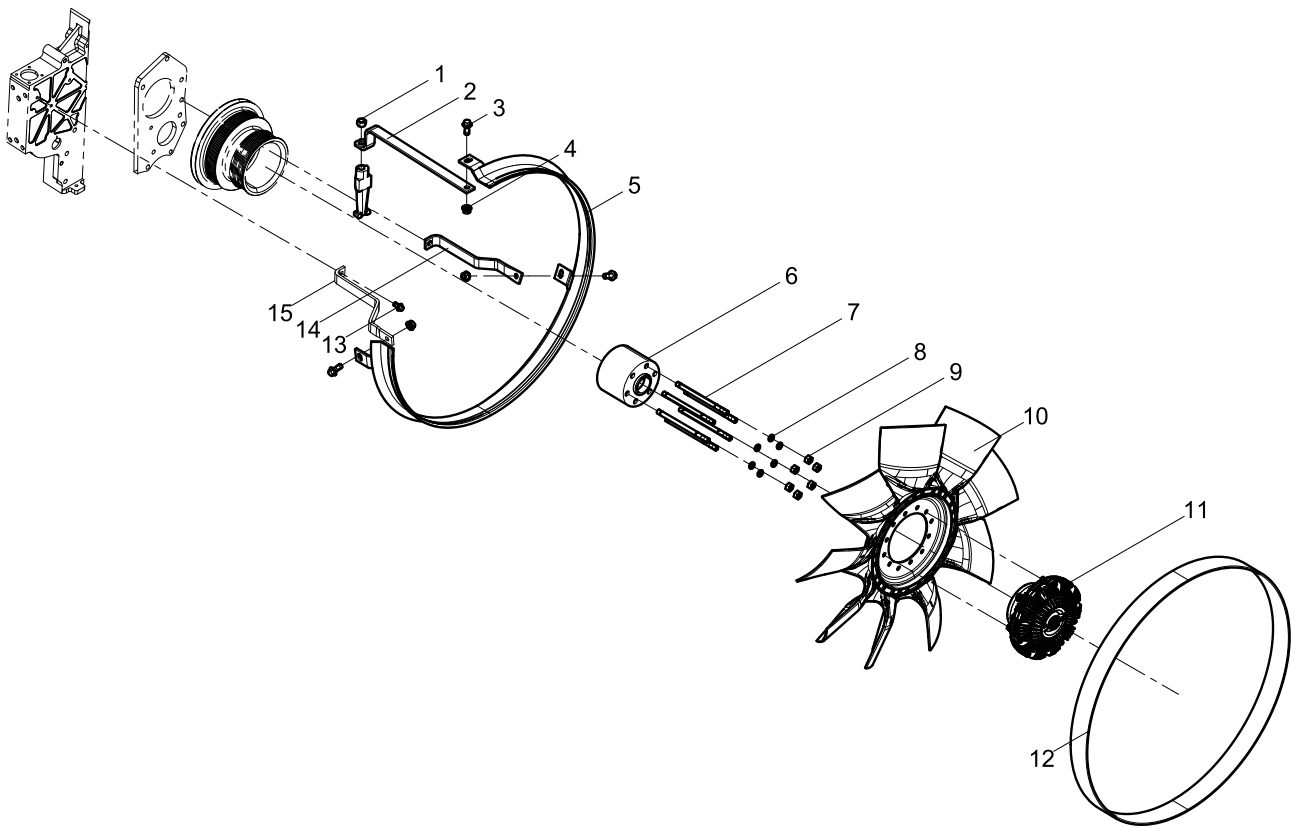
水泵结合组(Water pump assembly)



水管接头结合组(Water Pipe Connector Group)



风扇及轮毂结合组(Fan and Hub Group)

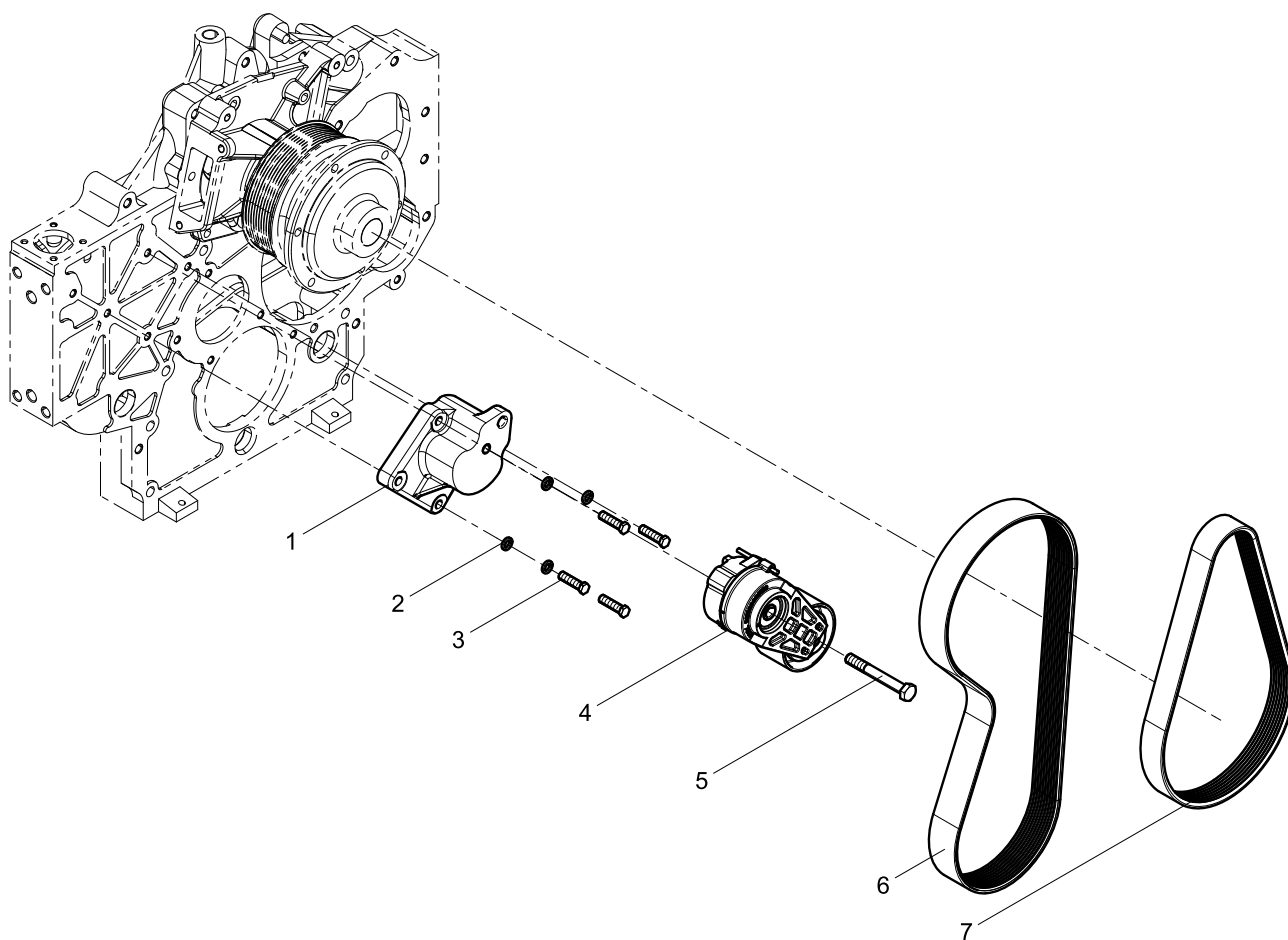


风扇及轮毂结合组(Fan and Hub Group)

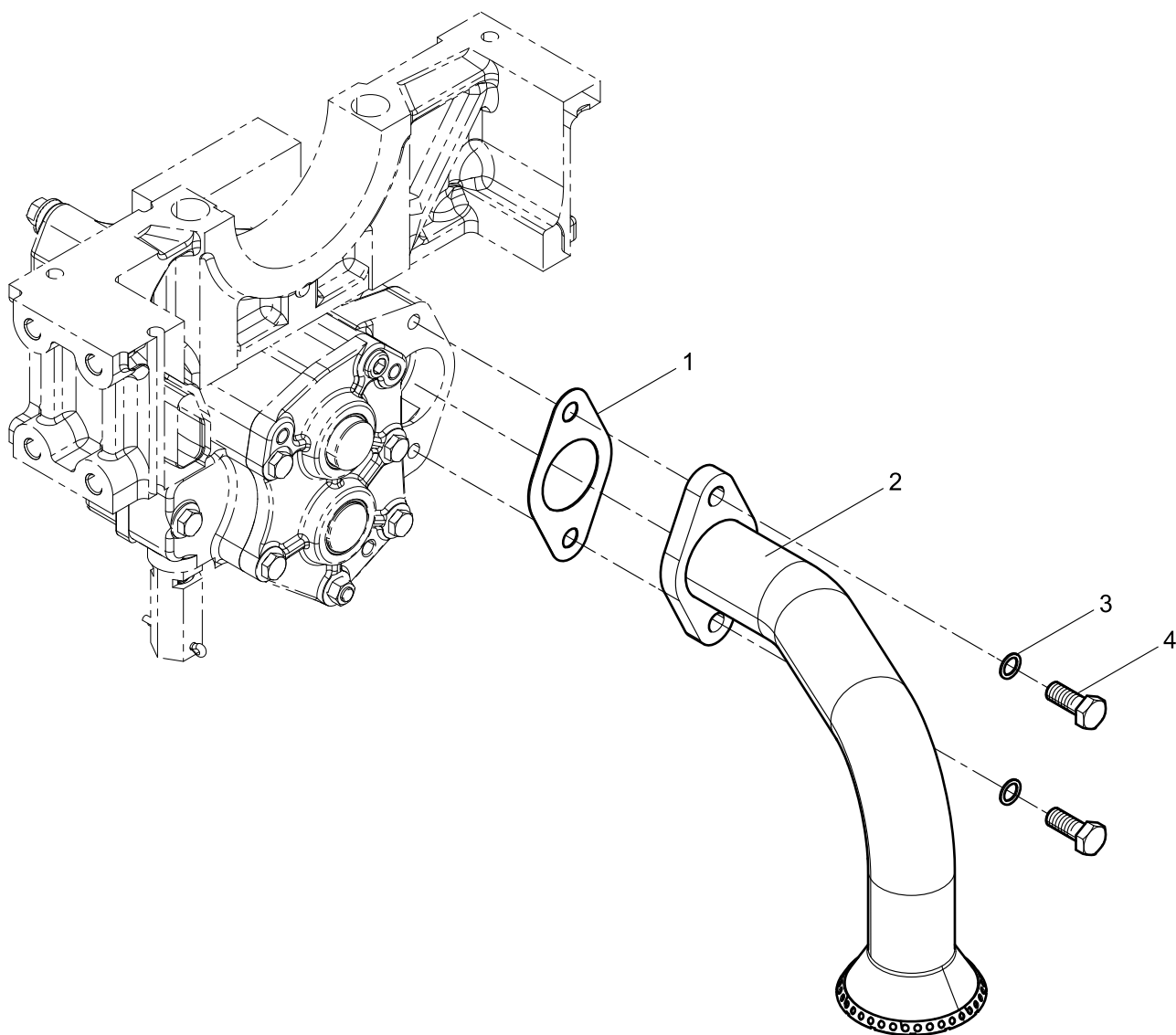
图序号 Pos.	件号 Teile.Number	数量 Amount	中文名称 Denomination	英文名称 Designation
1	90003888453	1	2型全金属六角锁紧螺母	Prevailing Torque Type All-metal Hexagon Nut,
2	612600061066	1	固定支架	Fixed plate
3	90011430008	3	六角法兰面承面带齿螺栓	Hexagon Flange Bolt
4	612600061720	3	六角法兰面承面带齿螺母	Hexagon Flange Nut
5	612600061062	1	护风罩总成	Air guiding assembly
6	612600060167	1	中间法兰	Intermediate flange
7	90011620012	6	双头螺柱	Stud
8	90003931122	6	弹簧垫圈	Spring washer
9	90003871305	6	1型六角螺母	Hexagon nut (I)
10	612600060215	1	风扇	Fan
11	61500060226	1	风扇离合器	Fan Clutch
12	AZ1560060016	1	护风带总成	Air cowl assembly
13	90011430040	1	六角法兰面承面带齿螺栓	Hexagon Flange Bolt
14	612600061059	1	固定支架	Fixed plate
15	612600061058	1	固定支架	Fixed plate



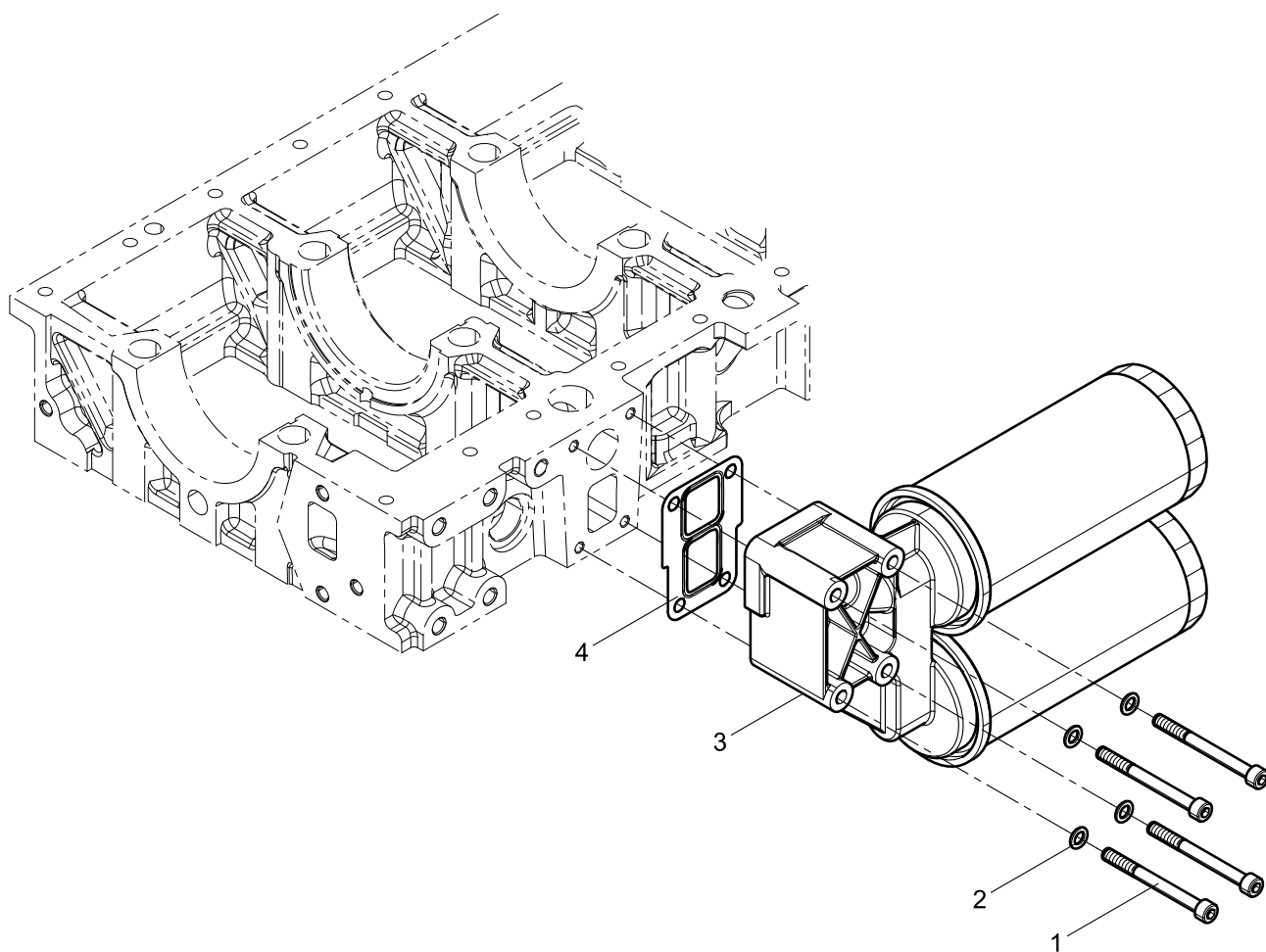
张紧轮及皮带结合组(Tensioner and Belt Assembly)



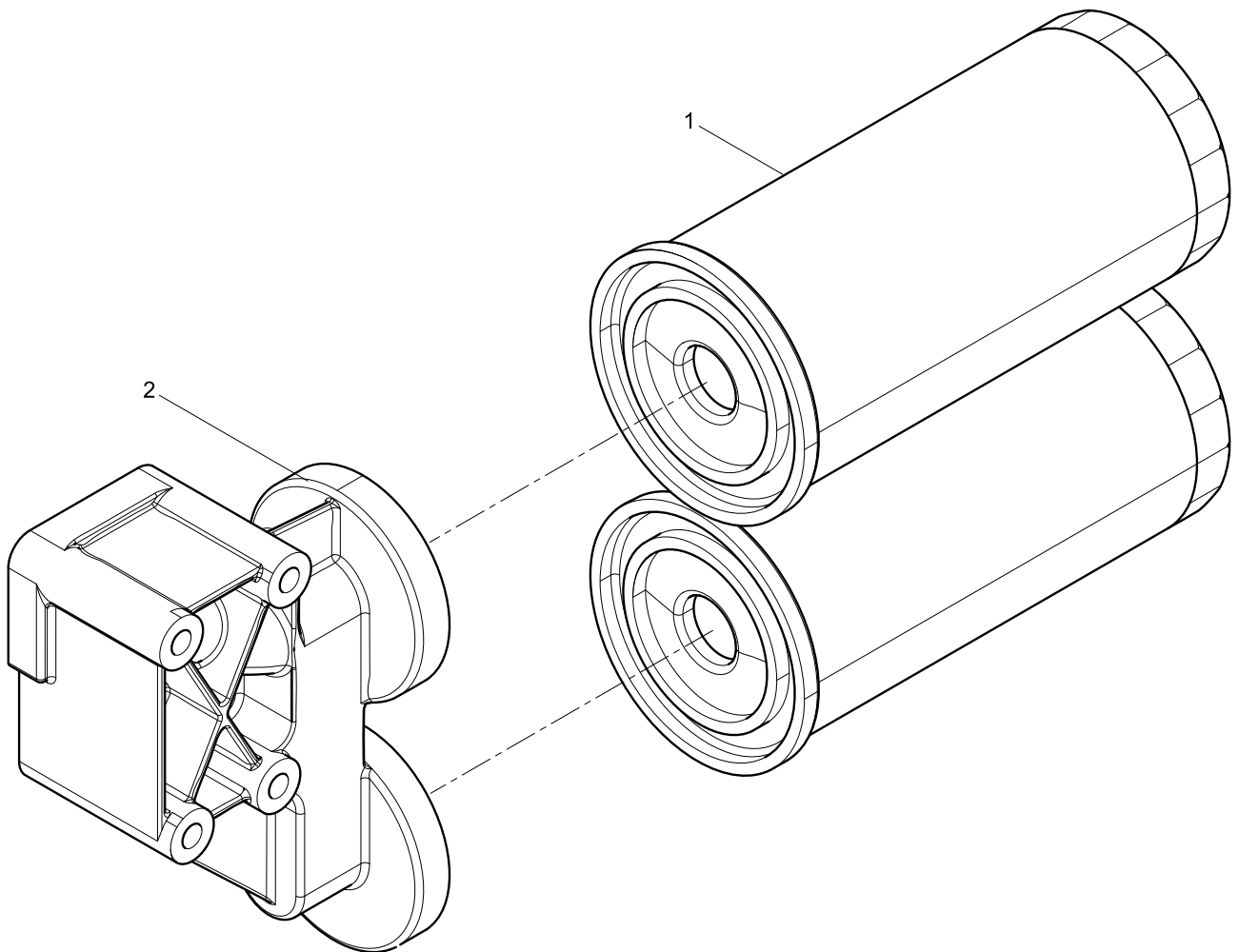
机油集滤器结合组(Oil Suction Strainer Group)



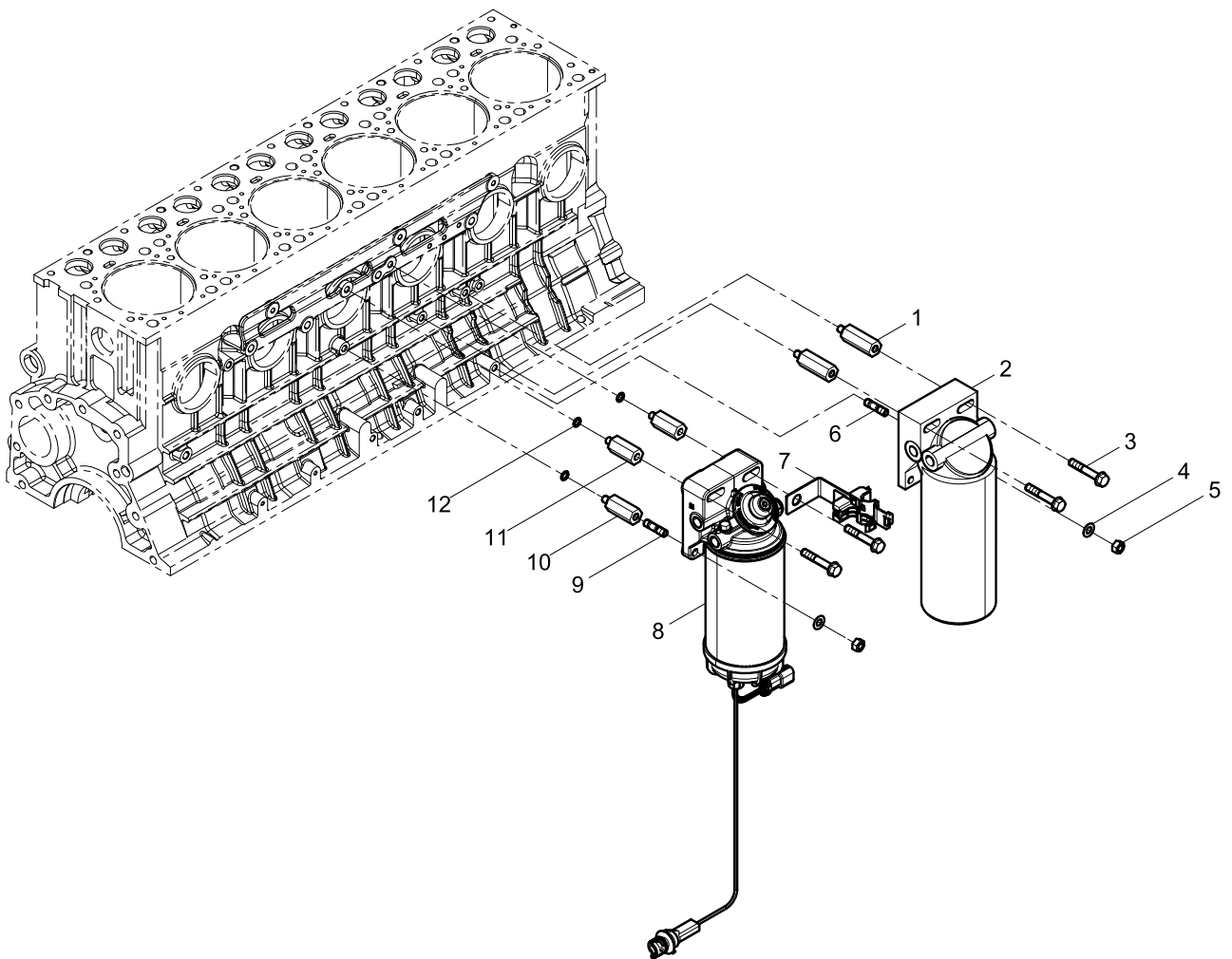
机油滤清器结合组(Oil filter assembly)



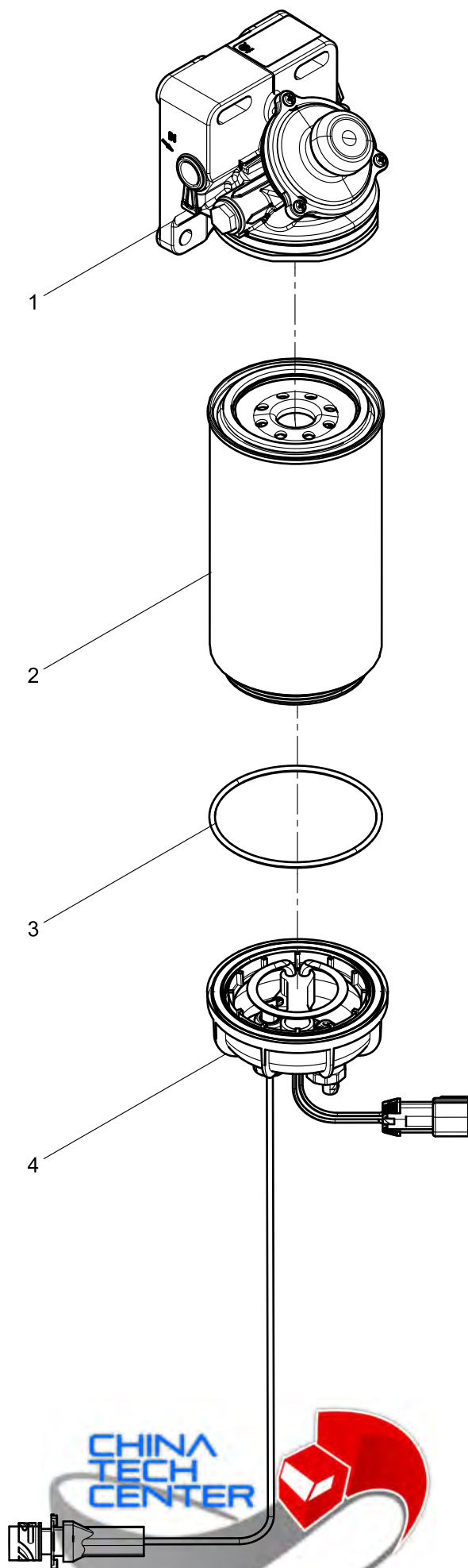
机油滤清器总成(Oil filter assembly)



燃油滤清器结合组(Fuel Filter Group)

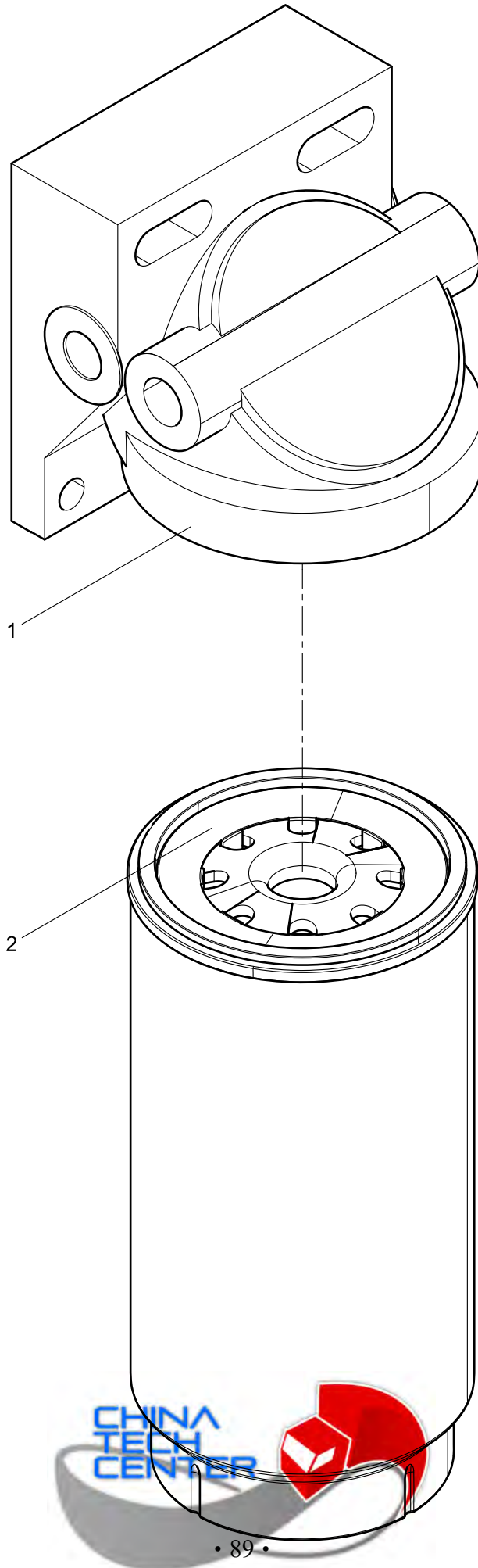


燃油粗滤器(Primary fuel filter)

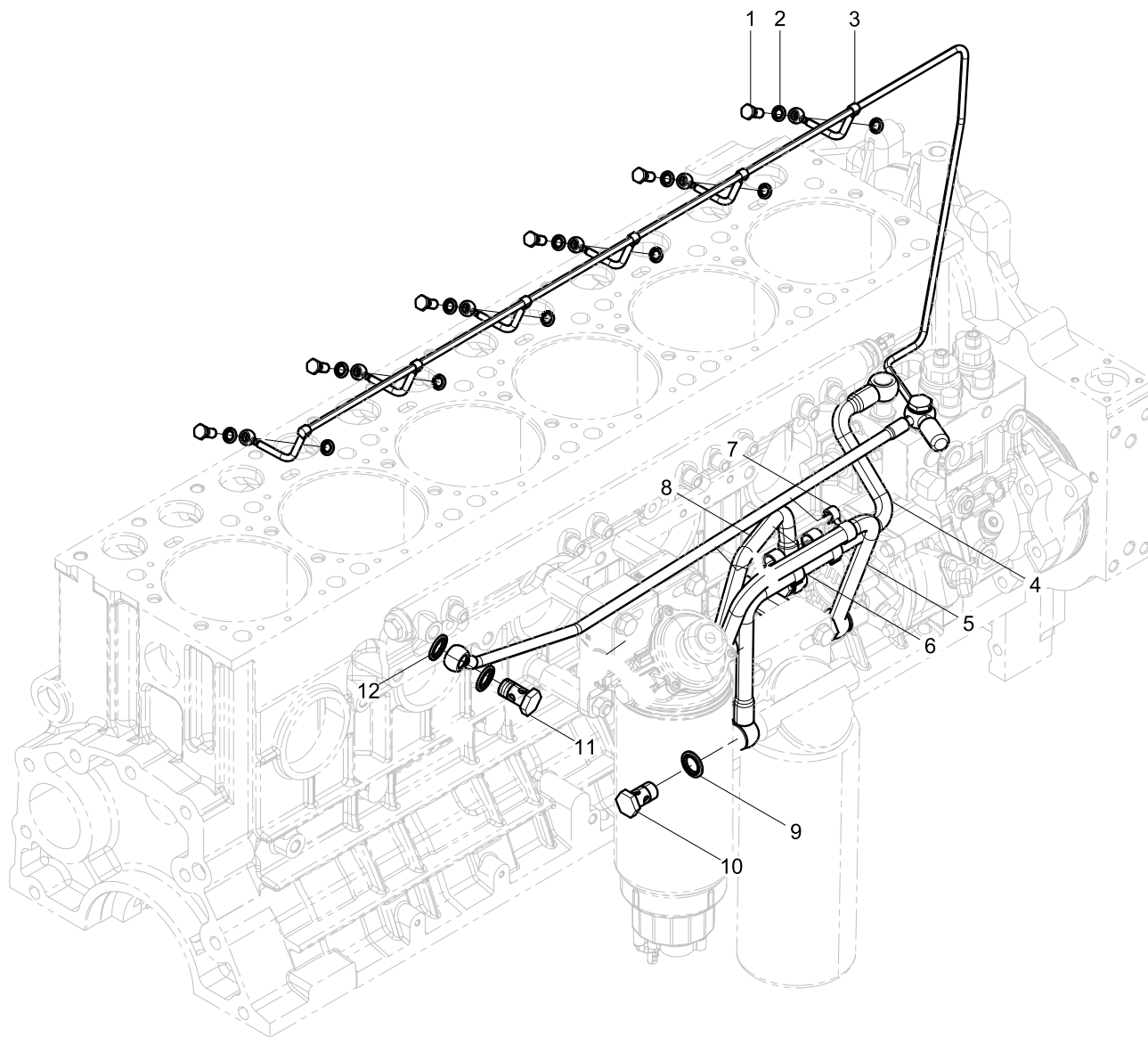


CHINA
TECH
CENTER

精滤器(Fine filter)



低压油管结合组(Low Pressure Oil pipe Group)

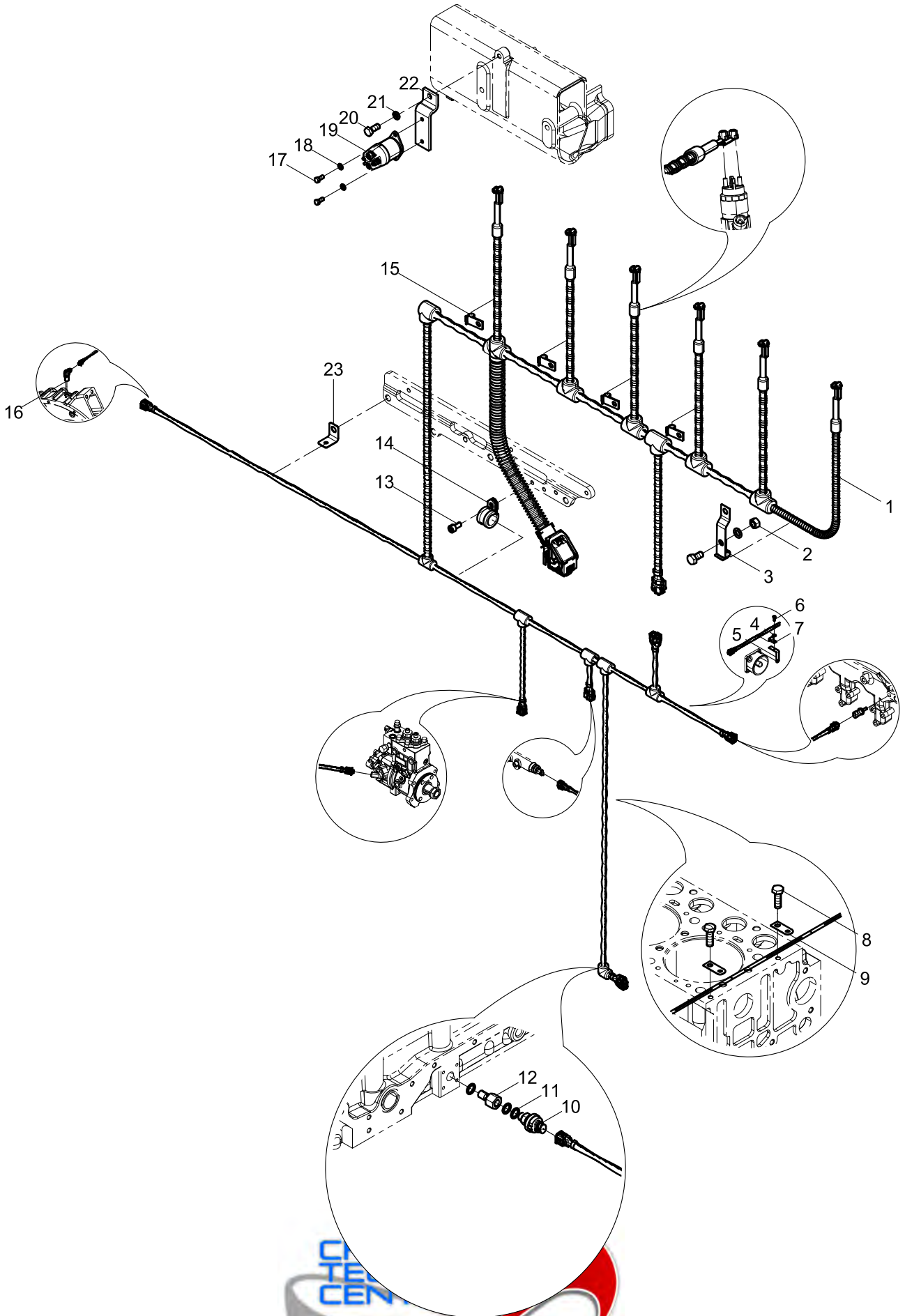


低压油管结合组(Low Pressure Oil pipe Group)

图序号 Pos.	件号 Teile.Number	数量 Amount	中文名称 Denomination	英文名称 Designation
1	90003962603	6	空心螺栓	Hollow bolt
2	612600080201	12	密封垫圈	Seal washer
3	612600080819	1	喷油器回油管总成	Oil return pipe assembly of injector
4	612600081409	1	燃油管总成	Fuel pipe assembly
5	612600081410	1	燃油管总成	Fuel pipe assembly
6	612600080948	2	管卡	Pipe Clip
7	612600080949	1	管卡	Pipe Clip
8	612600080623	1	燃油管总成	Fuel pipe assembly
9	13023361	12	组合密封垫圈	Unit seal washer
10	612639000049	6	空心螺栓	Hollow bolt
11	90003962621	1	空心螺栓	Hollow bolt
12	612600080200	2	密封垫圈	Seal washer



电控线束及传感器结合组(Electronic Control System Harness and Sensor Group)

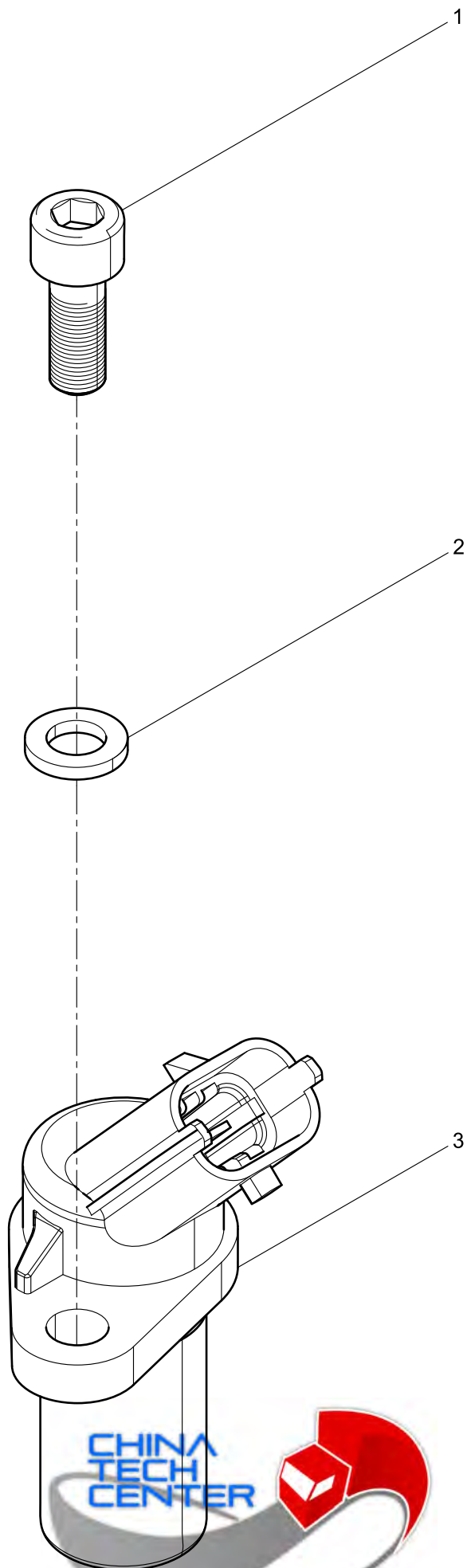


电控线束及传感器结合组(Electronic Control System Harness and Sensor Group)

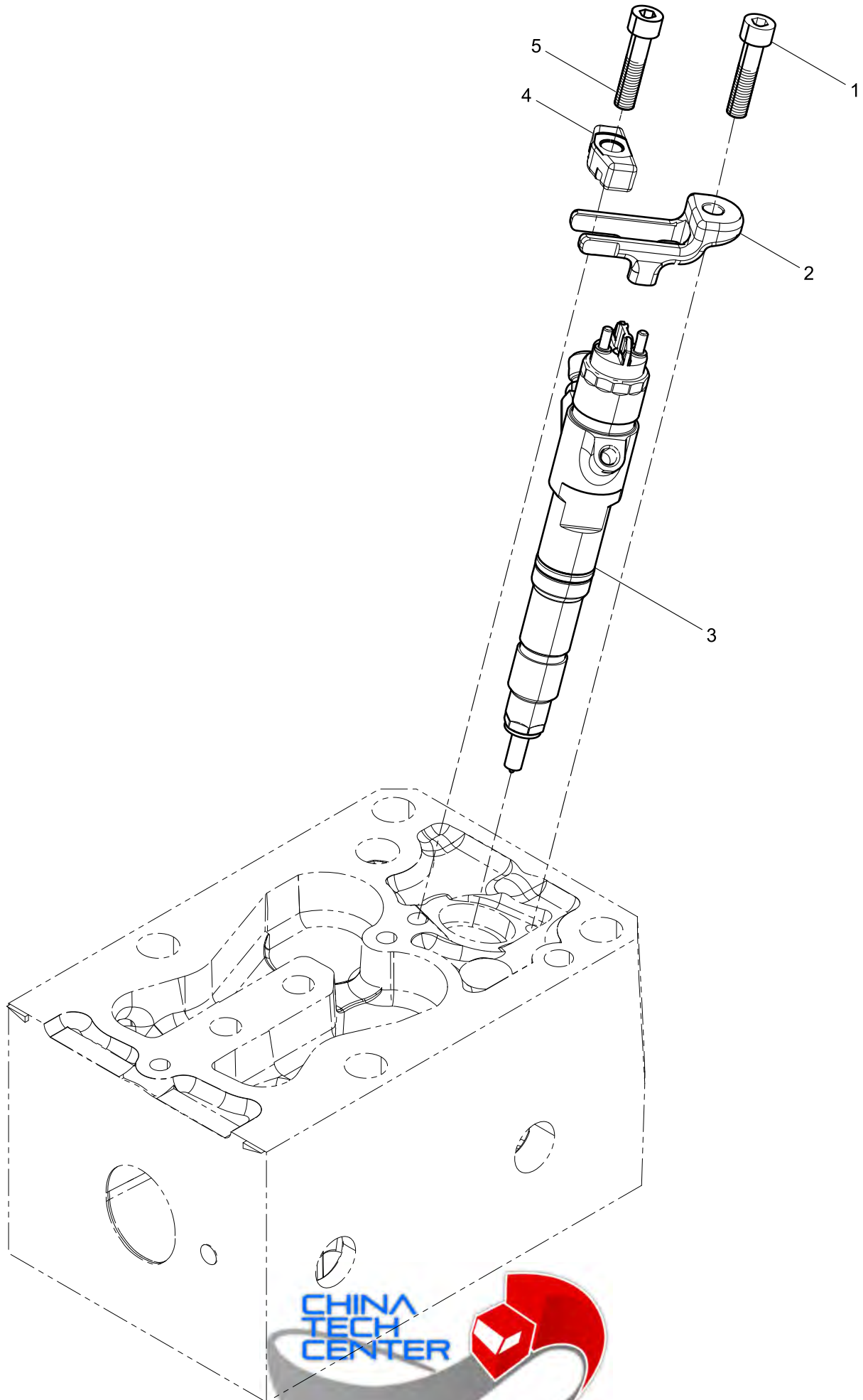
图序号 Pos.	件号 Teile.Number	数量 Amount	中文名称 Denomination	英文名称 Designation
1	612640080021	1	发动机线束总成	Engine Harness Assembly
2	90003871252	1	1型六角螺母	Hexagon nut (I)
3	612600080834	1	线束固定支架	Harness fixing bracket
4	90003932023	2	波形弹性垫圈	Wave spiral washer
5	612600082799	1	线束支架	Harness bracket
6	90003802411	2	六角头螺栓	Hexagon bolt
7	612600082800	1	线束支架	Harness bracket
8	612600082668	2	六角法兰面螺栓	Hexagon Flange Bolt
9	612600080725	2	线束固定板	Harness clamp plate
10	612600090920	1	压力温度传感器	Pressure and Temperature Sensor
11	612600080275	3	密封垫圈	Seal washer
12	612600090391	1	机油压力传感器接头	Oil pressure sensor joint
13	90003862419	1	内六角圆柱头螺钉	Inner hexagon screw
14	612600081631	1	管夹总成	Pipe Clamp Assembly
15	612600080833	4	线束固定支架	Harness fixing bracket
16	612600081751	1	转速传感器组件	
17	90011270059	2	六角头螺栓 全螺纹	
18	90014040005	2	平垫圈	Flat washer
19	612630080076	1	进气加热继电器	
20	90003802419	1	六角头螺栓	Hexagon bolt
21	90003931102	1	弹簧垫圈	Spring washer
22	612600112900	1	支架	Bracket
23	612600081698	1	线束支架	Harness bracket



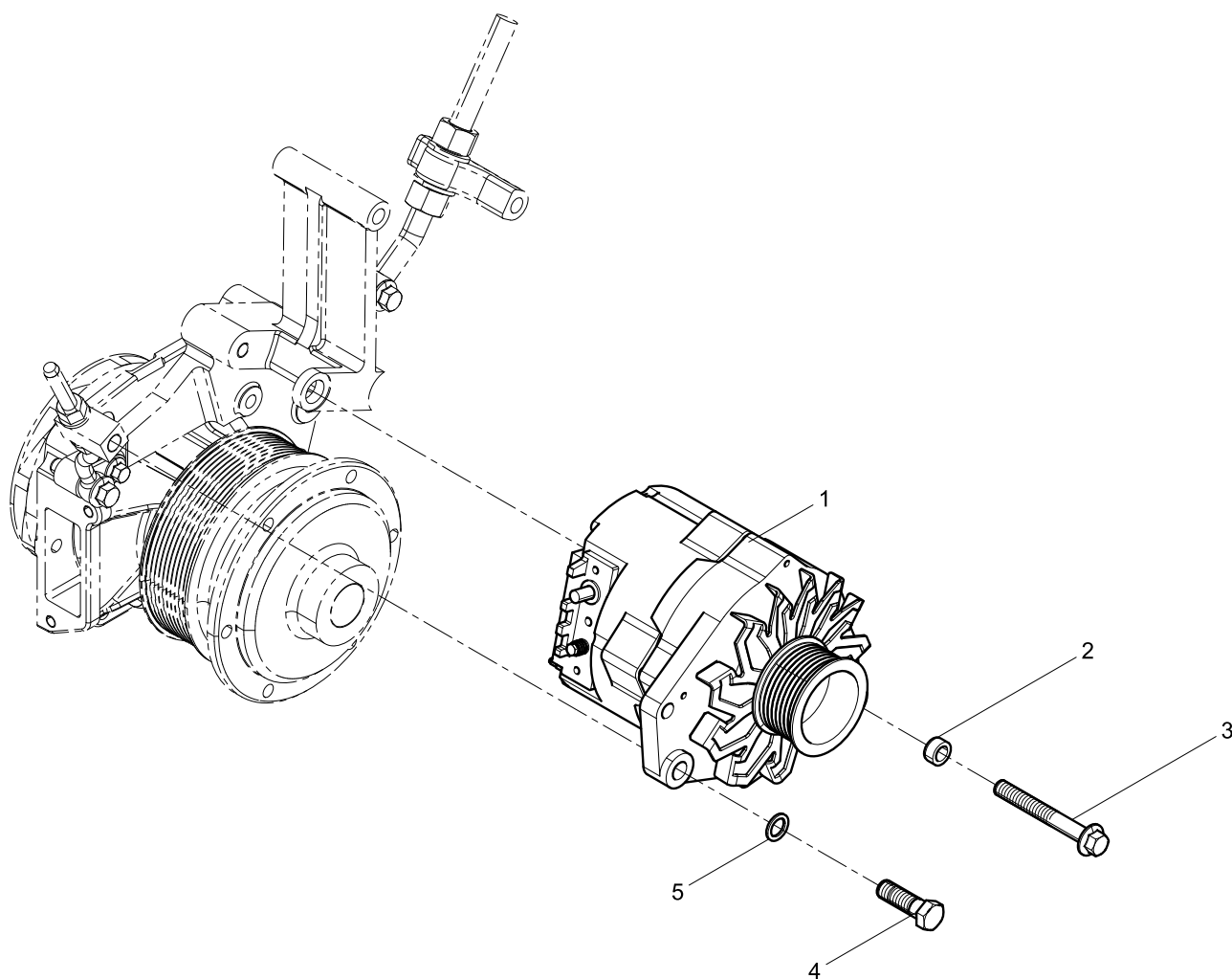
转速传感器组件()



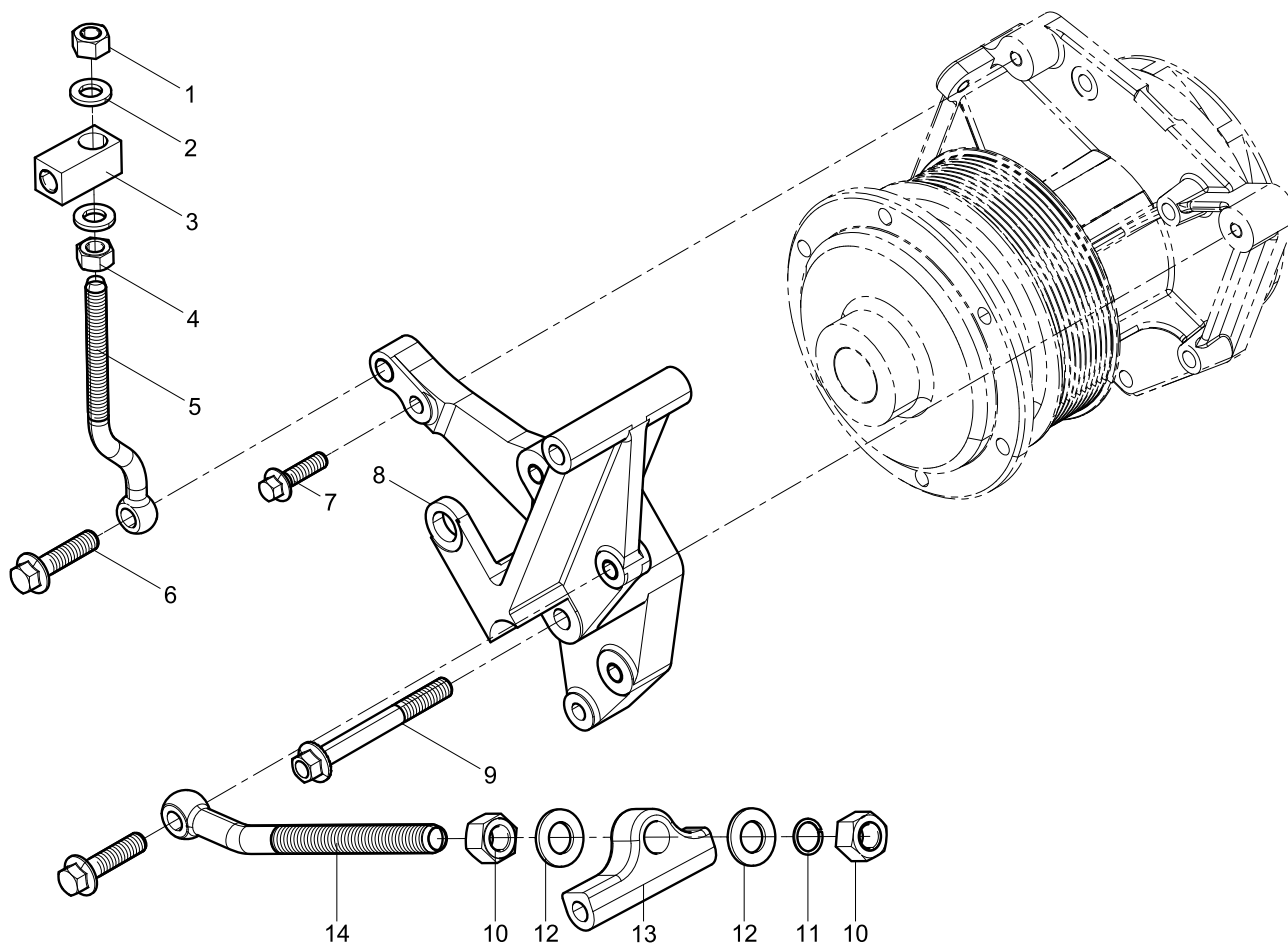
喷油器结合组(Injector assembly)



发电机结合组(Generator Group)



发电机支架结合组(Generator Bracket Group)

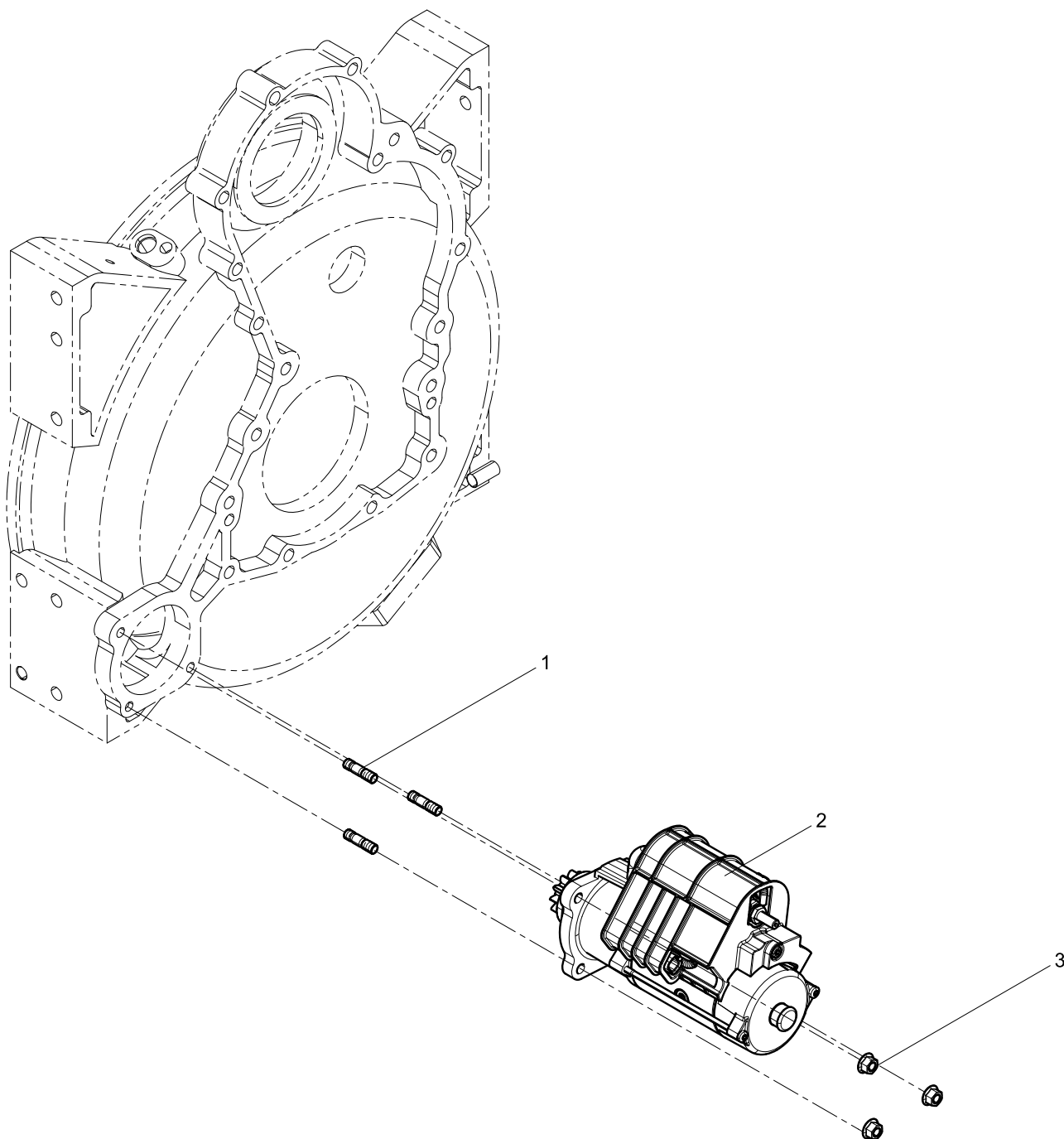


发电机支架结合组(Generator Bracket Group)

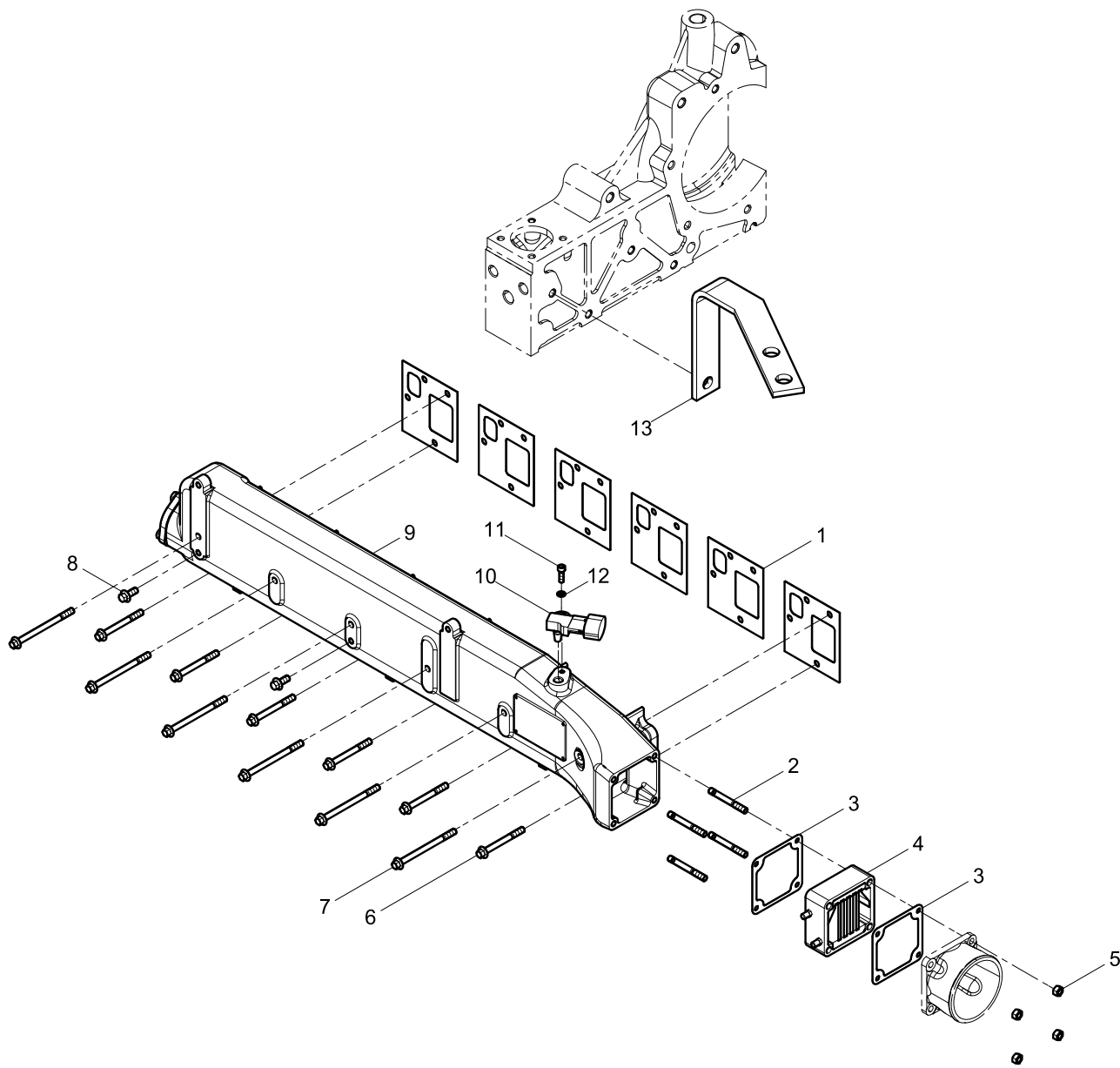
图序号 Pos.	件号 Teile.Number	数量 Amount	中文名称 Denomination	英文名称 Designation
1	90003888452	1	2型全金属六角锁紧螺母	Prevailing Torque Type All-metal Hexagon Nut,
2	90003935125	2	平垫圈	Flat washer
3	612600090094	1	拉紧块	Tightening block
4	90003871305	1	1型六角螺母	Hexagon nut (I)
5	612600090937	1	拉紧螺栓	Tightening bolt
6	90011430042	2	六角法兰面承面带齿螺栓	Hexagon Flange Bolt
7	90011430018	1	六角法兰面承面带齿螺栓	Hexagon Flange Bolt
8	612600061007	1	托架	Bracket
9	612600061712	1	六角法兰面承面带齿螺栓	Hexagon Flange Bolt
10	90012630006	2	1型六角螺母	Hexagon nut (I)
11	90014010003	1	标准型弹簧垫圈	Single Coil Spring Lock Washer, Normal Type
12	90003935015	2	平垫圈	Flat washer
13	612600061323	1	间隔块	Spacer block
14	612600061008	1	拉紧螺栓	Tightening bolt



起动机结合组(Starter Motor Group)



进气管结合组(Intake Manifold Group)

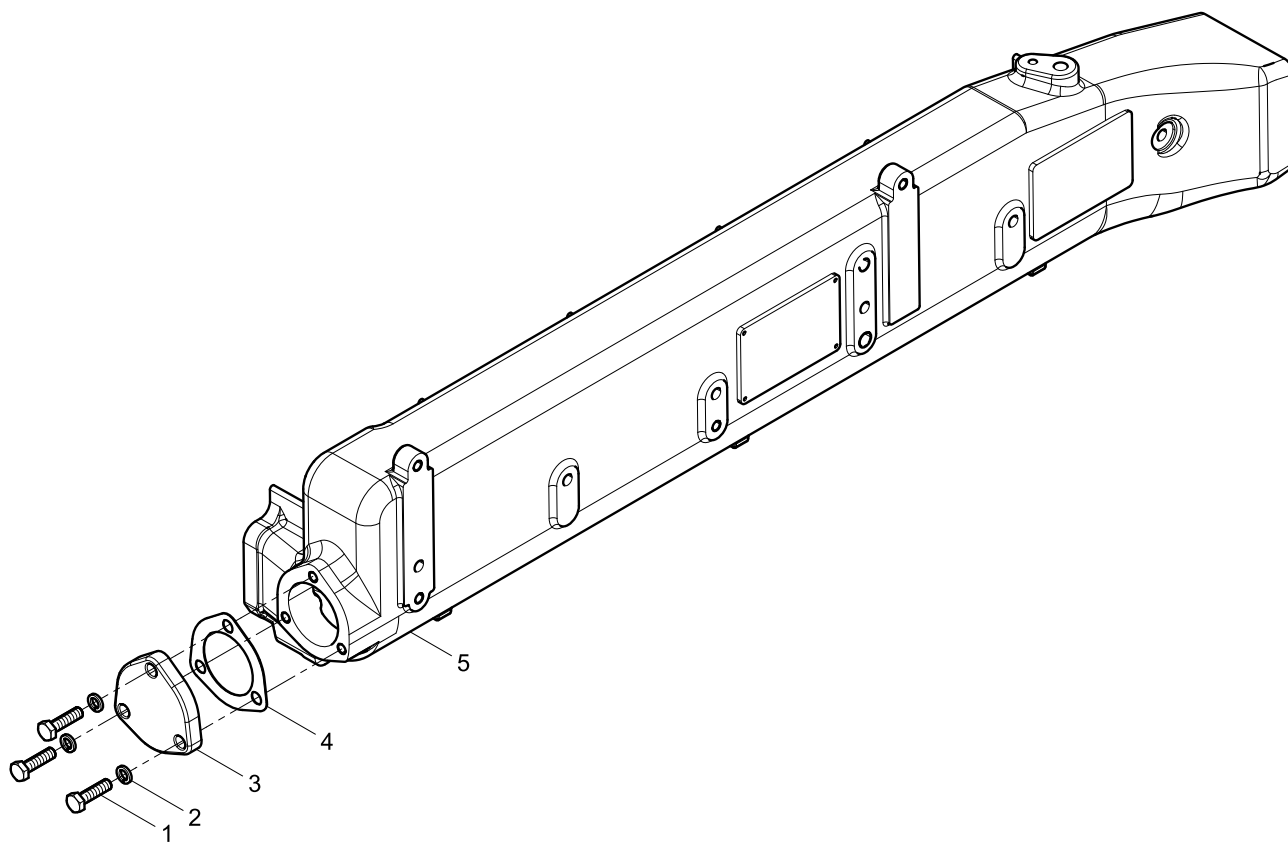


进气管结合组(Intake Manifold Group)

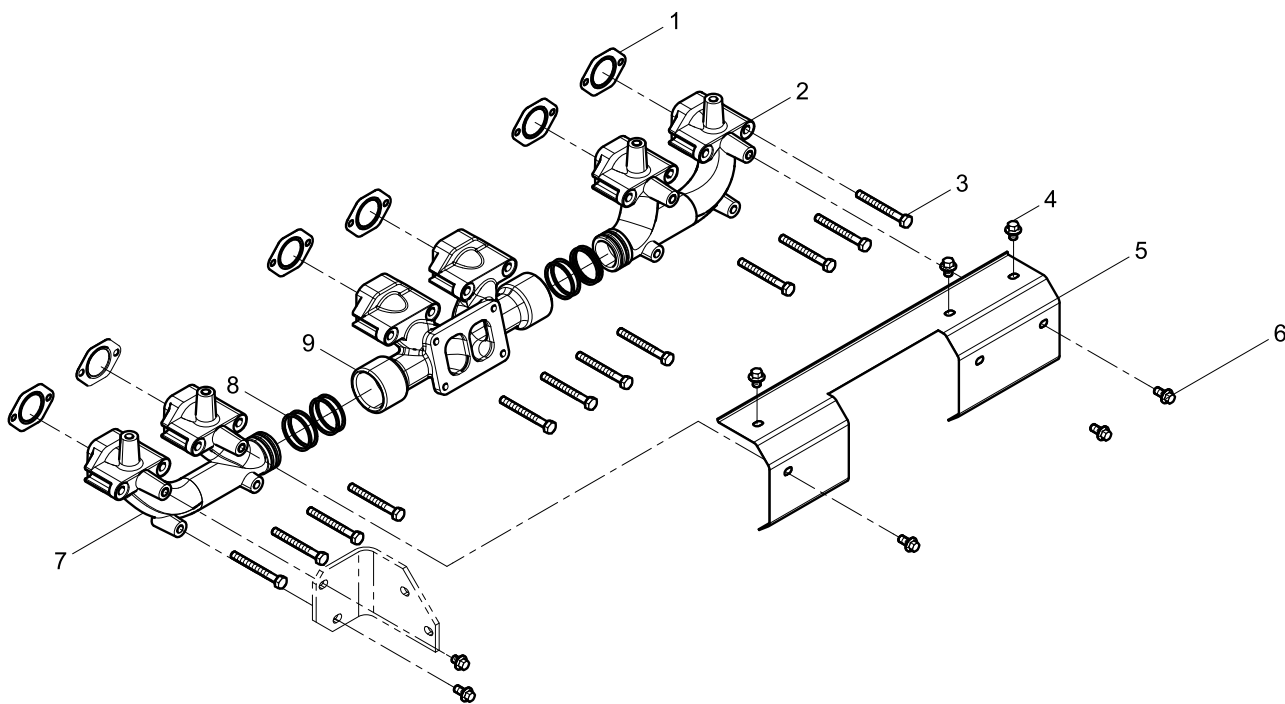
图序号 Pos.	件号 Teile.Number	数量 Amount	中文名称 Denomination	英文名称 Designation
1	61500110024	6	进气管垫片	Air inlet pipe gasket
2	90003813470	4	双头螺柱	Stud
3	612630120002	2	垫片	Gasket
4	612630120003	1	加热器	Heater
5	90003888451	4	2型全金属六角锁紧螺母	Prevailing Torque Type All-metal Hexagon Nut,
6	612600114858	6	六角法兰面螺栓	Hexagon Flange Bolt
7	612600114467	6	六角法兰面螺栓	Hexagon Flange Bolt
8	90011410011	2	六角法兰面螺栓	Hexagon Flange Bolt
9	612600111766	1	进气管总成	Air inlet pipe assembly
10	612630120004	1	压力温度传感器	Pressure and Temperature Sensor
11	90013050006	1	内六角圆柱头螺钉	Inner hexagon screw
12	90003930251	1	小垫圈	Small washer
13	612640120004	1	进气接管支架	Air intake joint pipe bracket



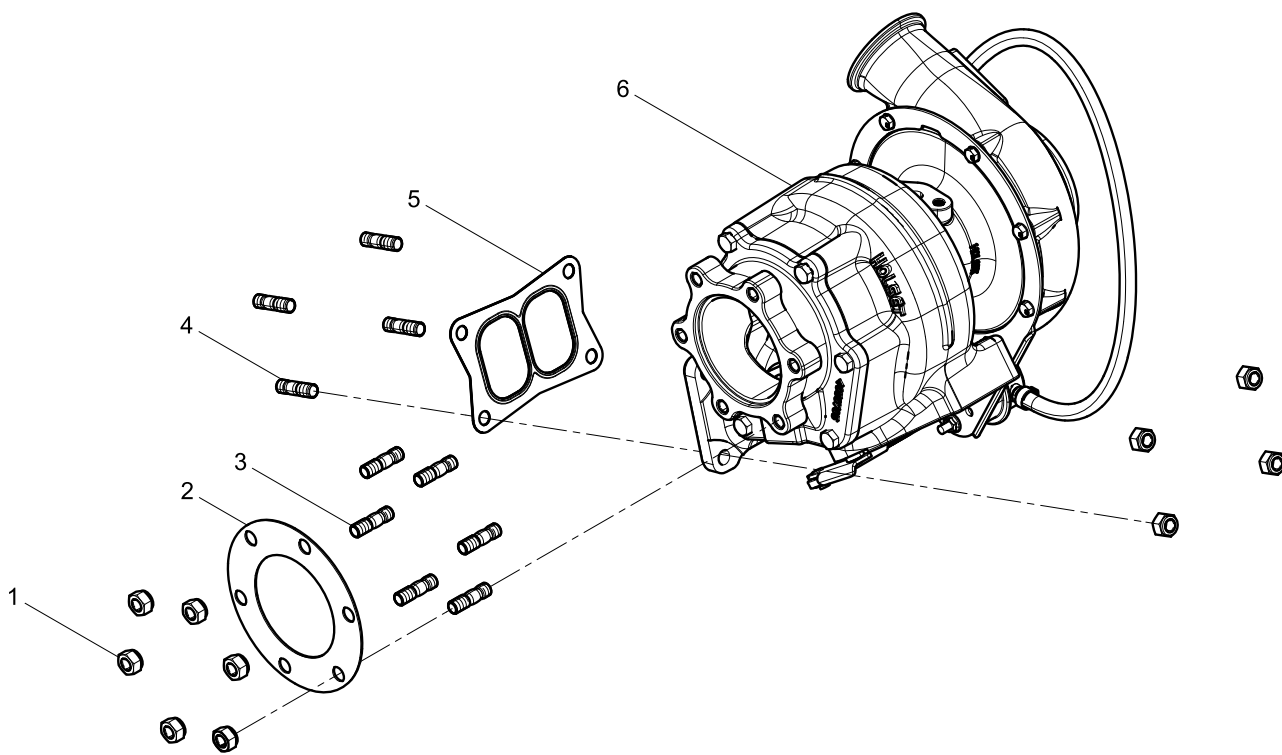
进气管总成(Air inlet pipe assembly)



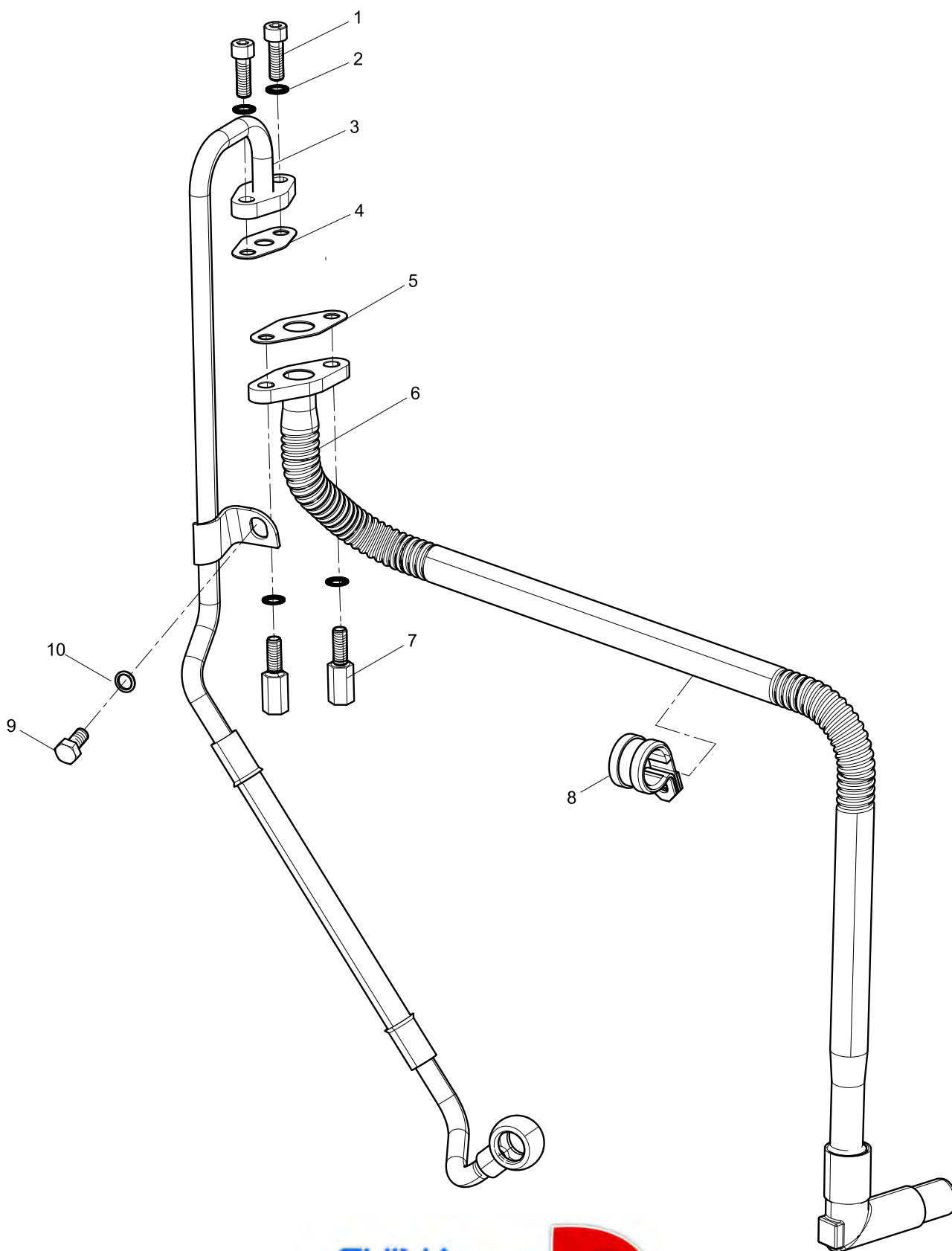
排气管结合组(Exhaust Manifold Group)



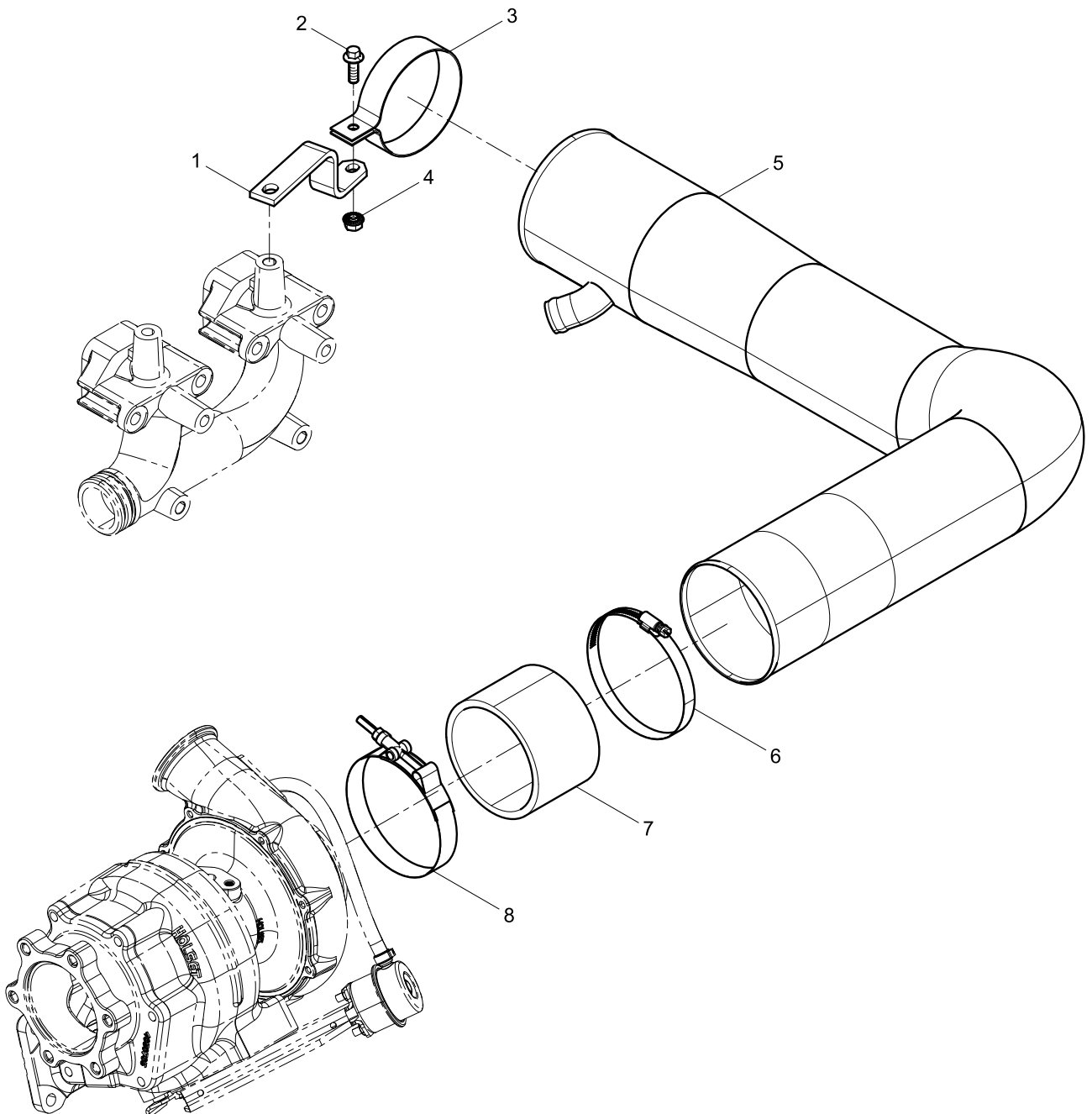
增压器结合组(Turbocharger assembly)



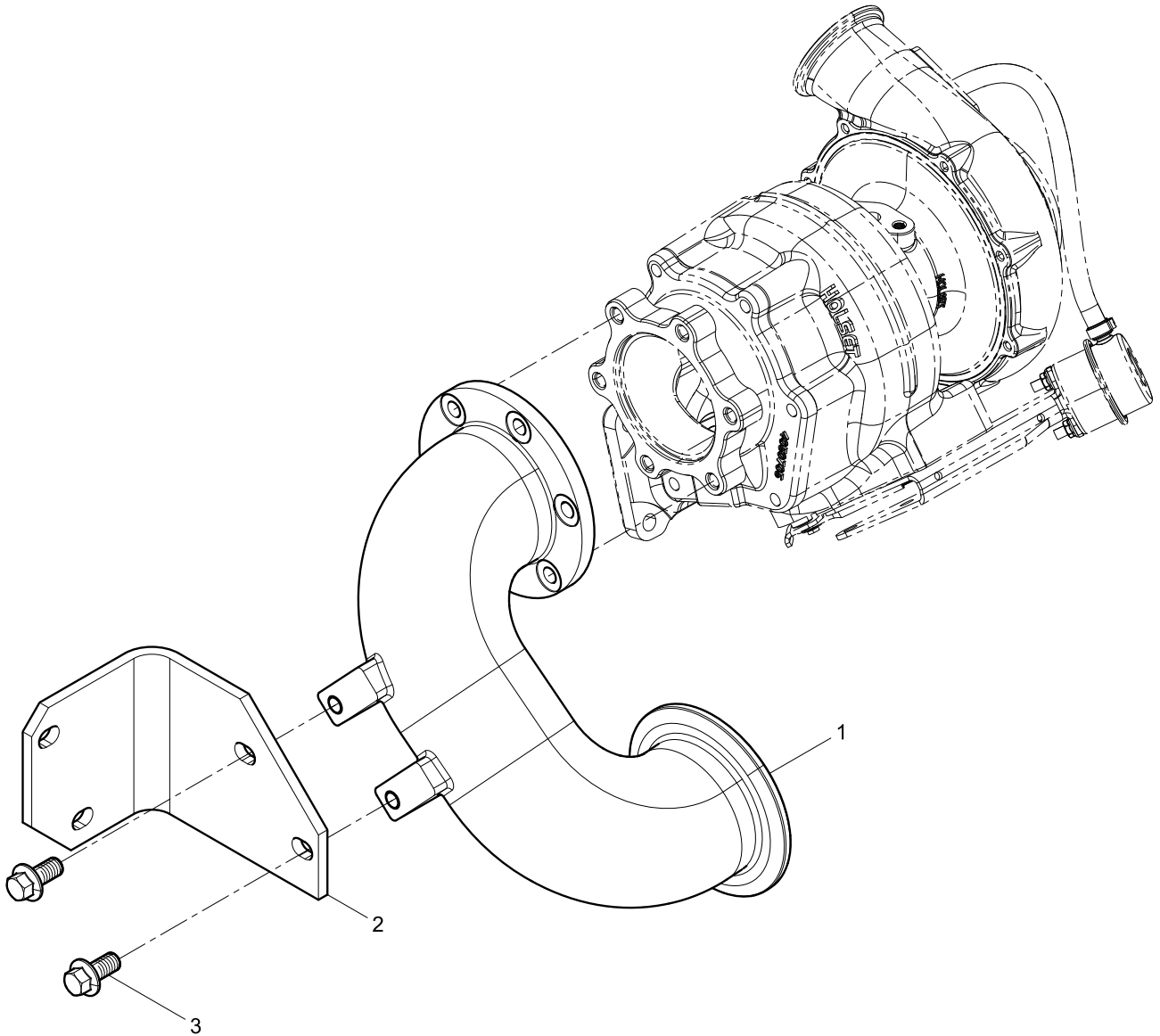
增压器润滑油管结合组(Turbocharger Oil pipe Group)



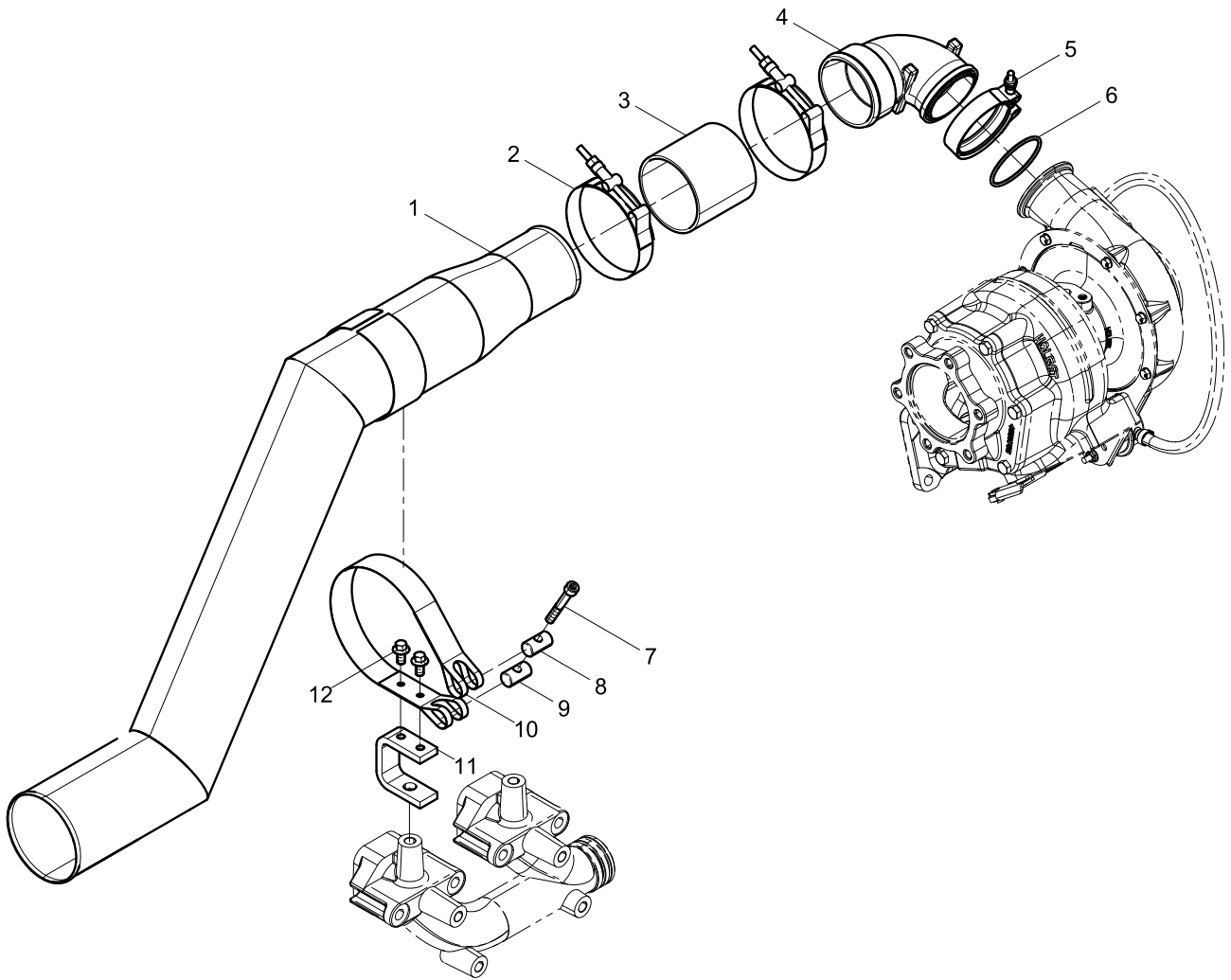
压气机管路结合组(Compressor Pipeline Group)



后排气管结合组(Rear Exhaust Manifold Group)



中冷器结合组(Intercooler assembly)

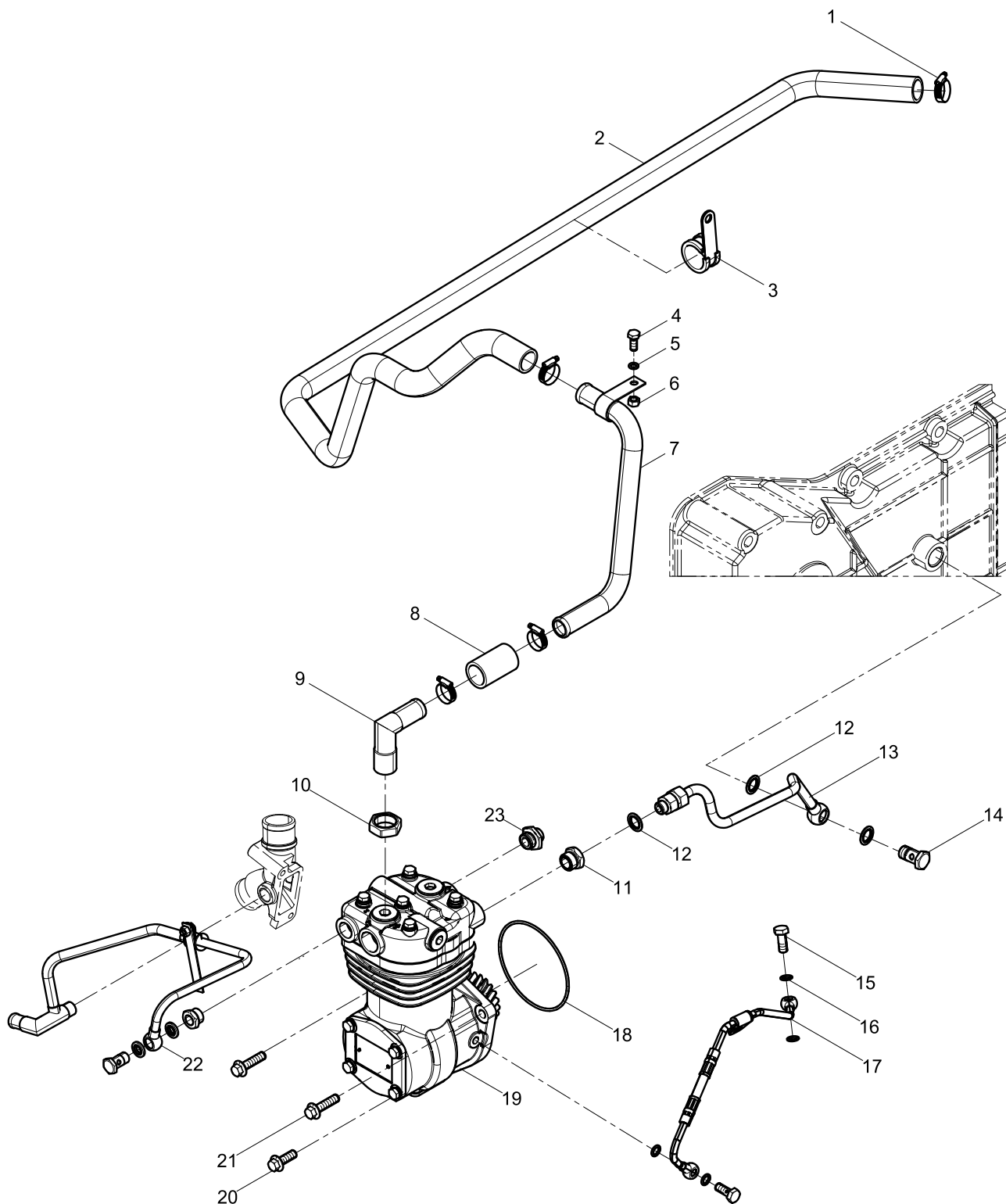


中冷器结合组(Intercooler assembly)

图序号 Pos.	件号 Teile.Number	数量 Amount	中文名称 Denomination	英文名称 Designation
1	612640110006	1	中冷进气管总成	Air intake pipe assembly of intercooler
2	612600114067	2	卡箍	Clamp
3	612600112535	1	气路连接胶管	Air Connecting Rubber Pipe
4	612600112505	1	连接短管	Short connecting pipe
5	61560110226	1	卡箍	Clamp
6	190320035	1	密封圈	Seal washer
7	90003862462	1	内六角圆柱头螺钉	Inner hexagon screw
8	209190017	1	拉紧销	Pin
9	1700550013	1	张紧销	Tension pin
10	61560110021	1	卡箍带	Clamp
11	612640110015	1	中冷进气管支架	Bracket-inner cooler air intake pipe
12	90011430040	2	六角法兰面承面带齿螺栓	Hexagon Flange Bolt



空压机结合组(Air Compressor Group)

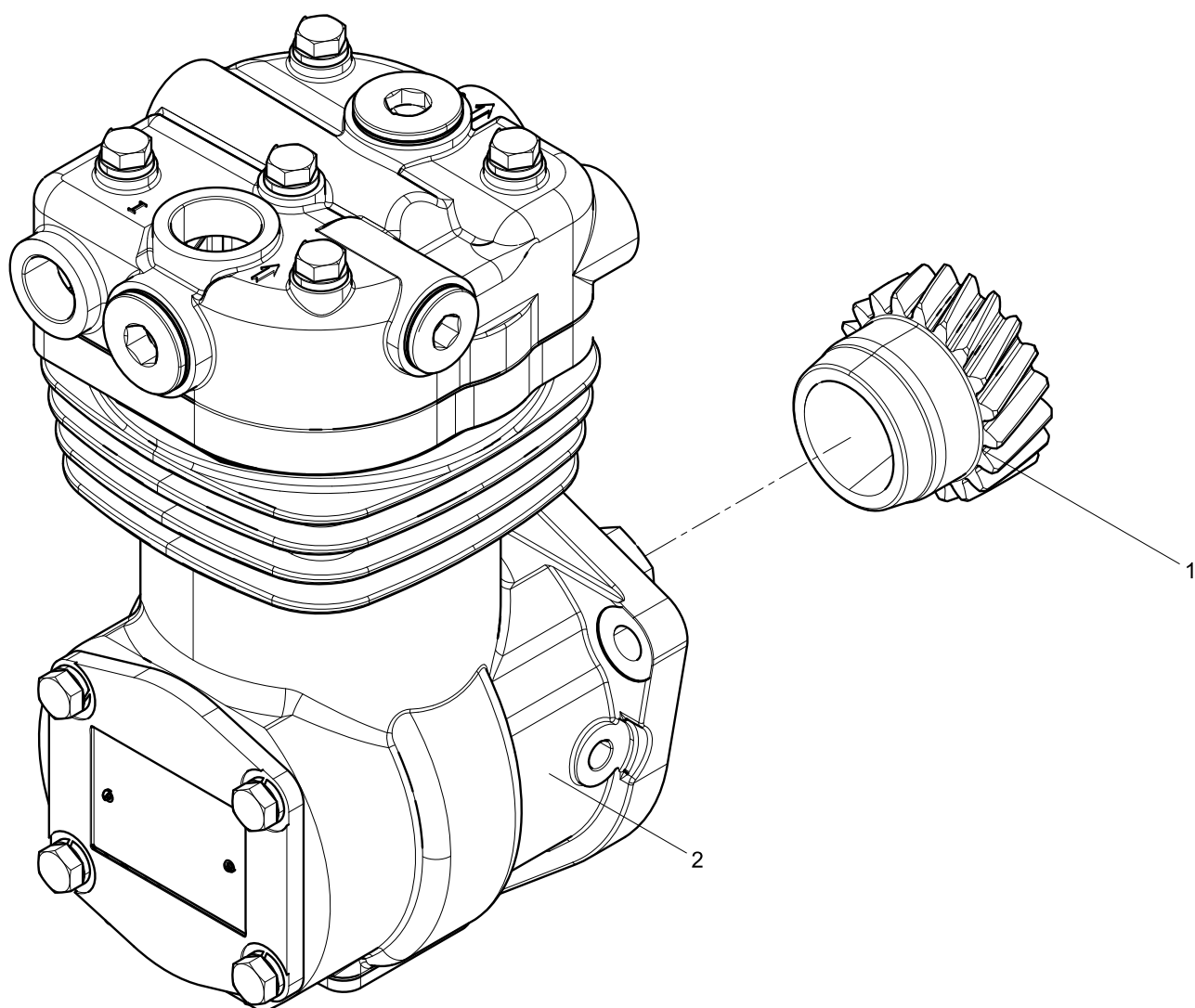


空压机结合组(Air Compressor Group)

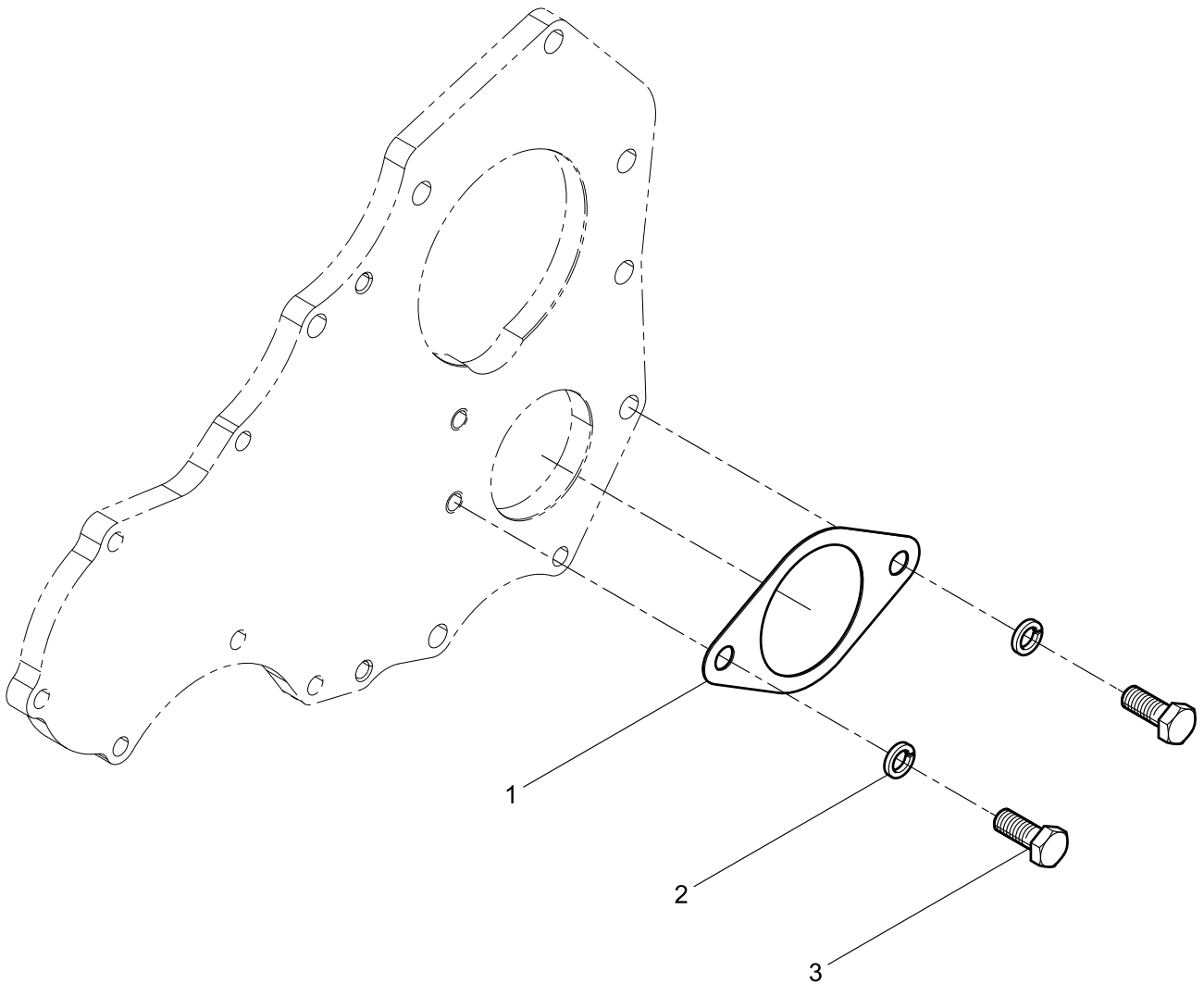
图序号 Pos.	件号 Teile.Number	数量 Amount	中文名称 Denomination	英文名称 Designation
1	90003989301	4	软管卡箍	Hose clip
2	612600130387	1	气路连接胶管	Air Connecting Rubber Pipe
3	612600112639	2	管夹总成	Pipe Clamp Assembly
4	90003802415	1	六角头螺栓	Hexagon bolt
5	90003932023	1	波形弹性垫圈	Wave spiral washer
6	90003871252	1	1型六角螺母	Hexagon nut (I)
7	612600130363	1	空压机进气管	Air inlet pipe of air compressor
8	612630060383	1	油路连接胶管	Oil Connecting Rubber Pipe
9	612600130058	1	管接头	Adapter
10	612600130303	1	六角薄螺母	Hexagon nut
11	99100360161	2	接头体	Adapter body
12	13023361	5	组合密封垫圈	Unit seal washer
13	612600130316	1	空压机进水管	Water inlet pipe of air compressor
14	90003962627	2	空心螺栓	Hollow bolt
15	612600130333	2	空心螺栓	Hollow bolt
16	612600080246	4	密封垫圈	Seal washer
17	612600130326	1	空压机润滑油管总成	Oil pipe of air compressor assembly
18	30800010003	1	密封圈	Seal washer
19	612600130624	1	空压机总成	Air compressor assembly
20	90011430017S	1	六角法兰面承面带齿螺栓	Hexagon Flange Bolt
21	90011430032	2	六角法兰面承面带齿螺栓	Hexagon Flange Bolt
22	612600130355	1	空压机回水管总成	Water return pipe assembly of air compressor
23	612600130270	1	排气接头	Exhaust pipe nipple



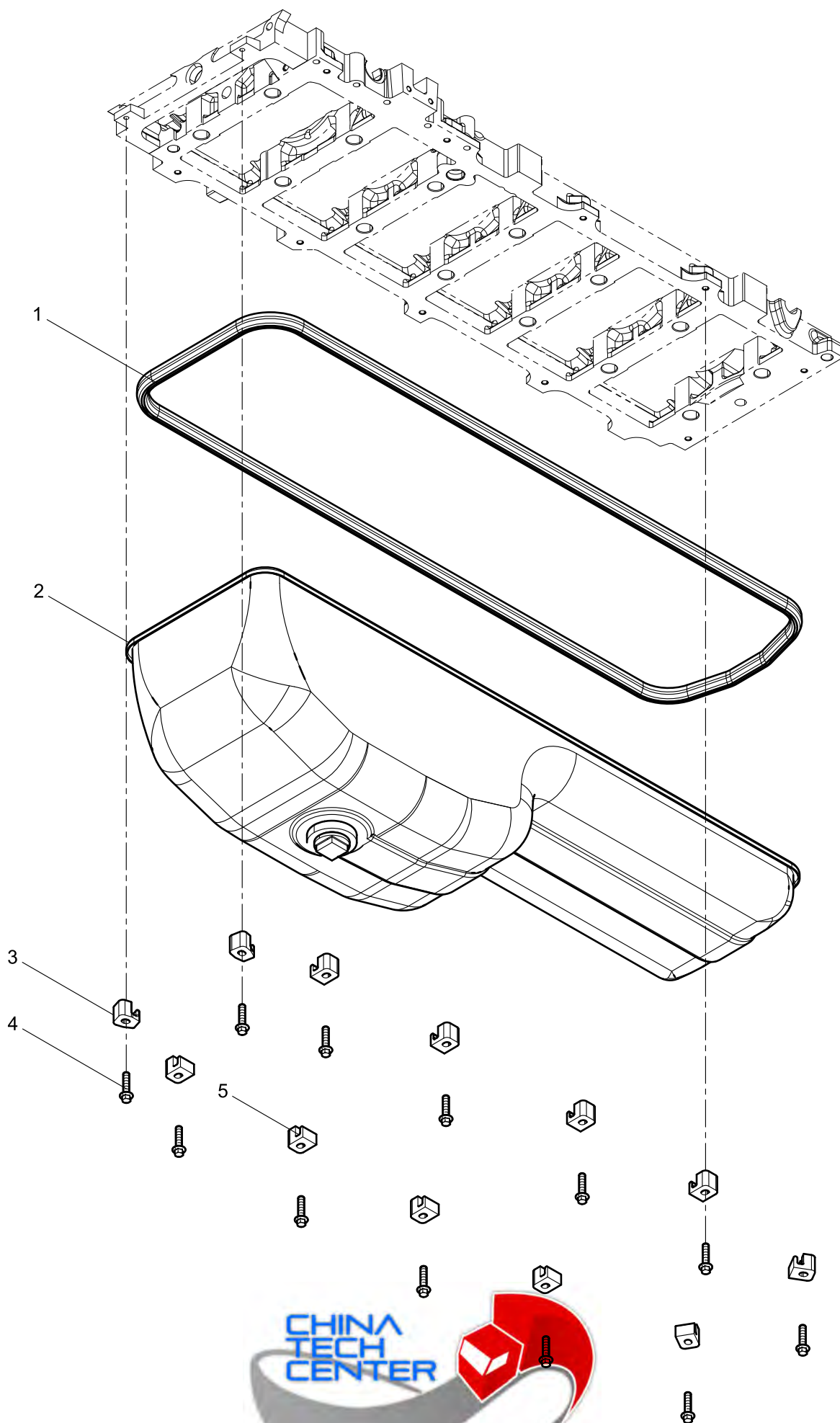
空压机总成(Air compressor assembly)



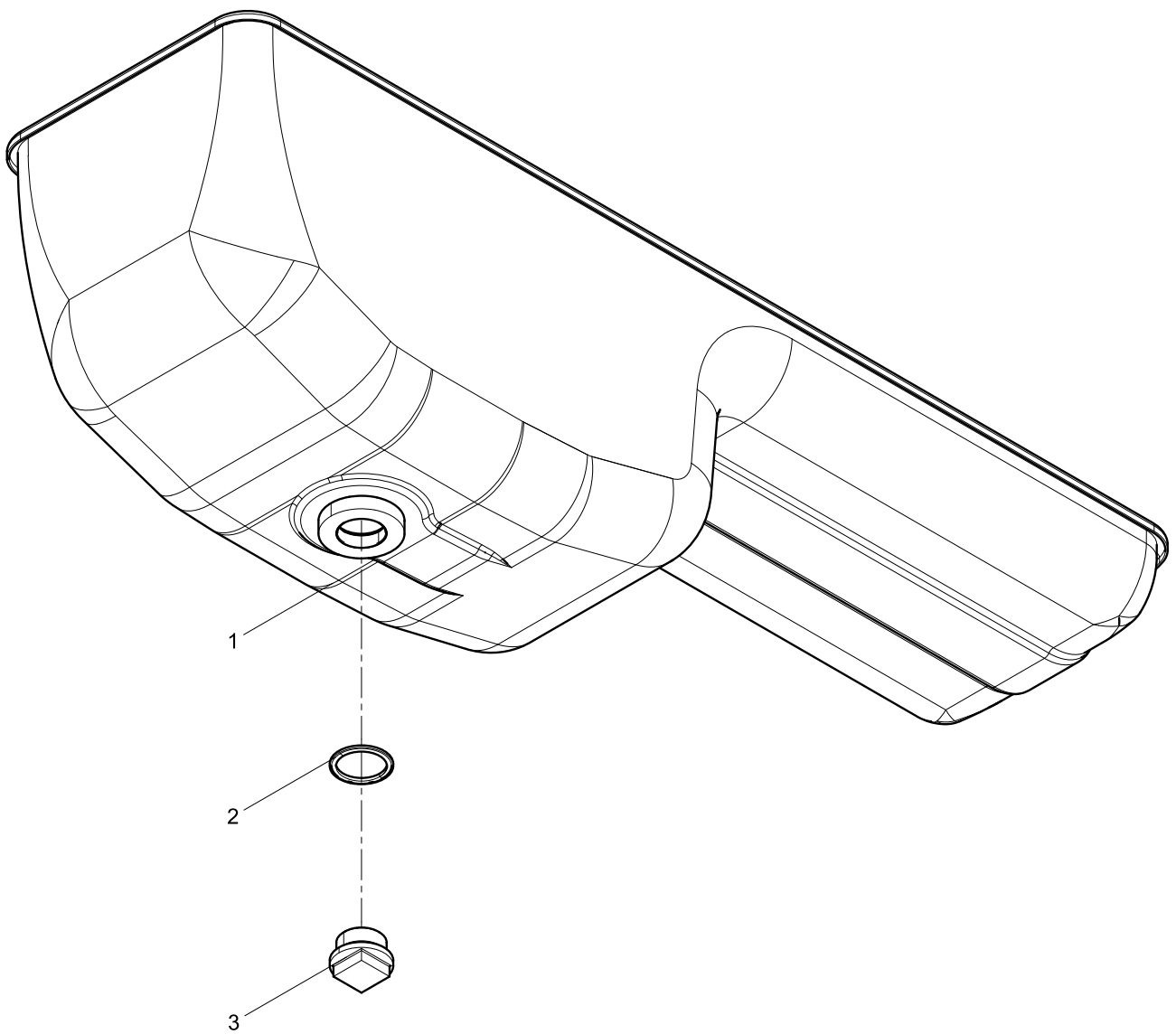
液压泵结合组(Hydraulic Pump Group)



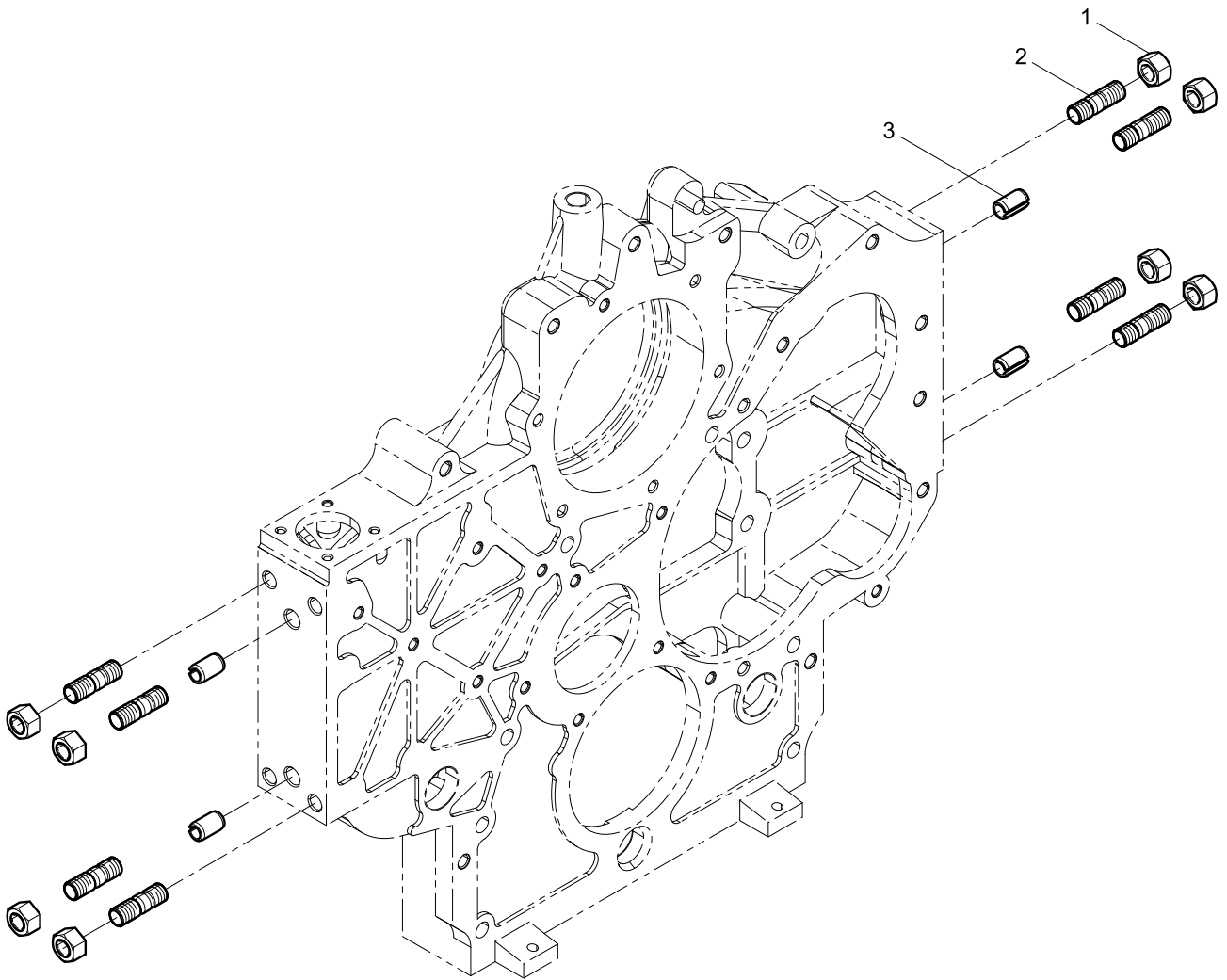
油底壳组()



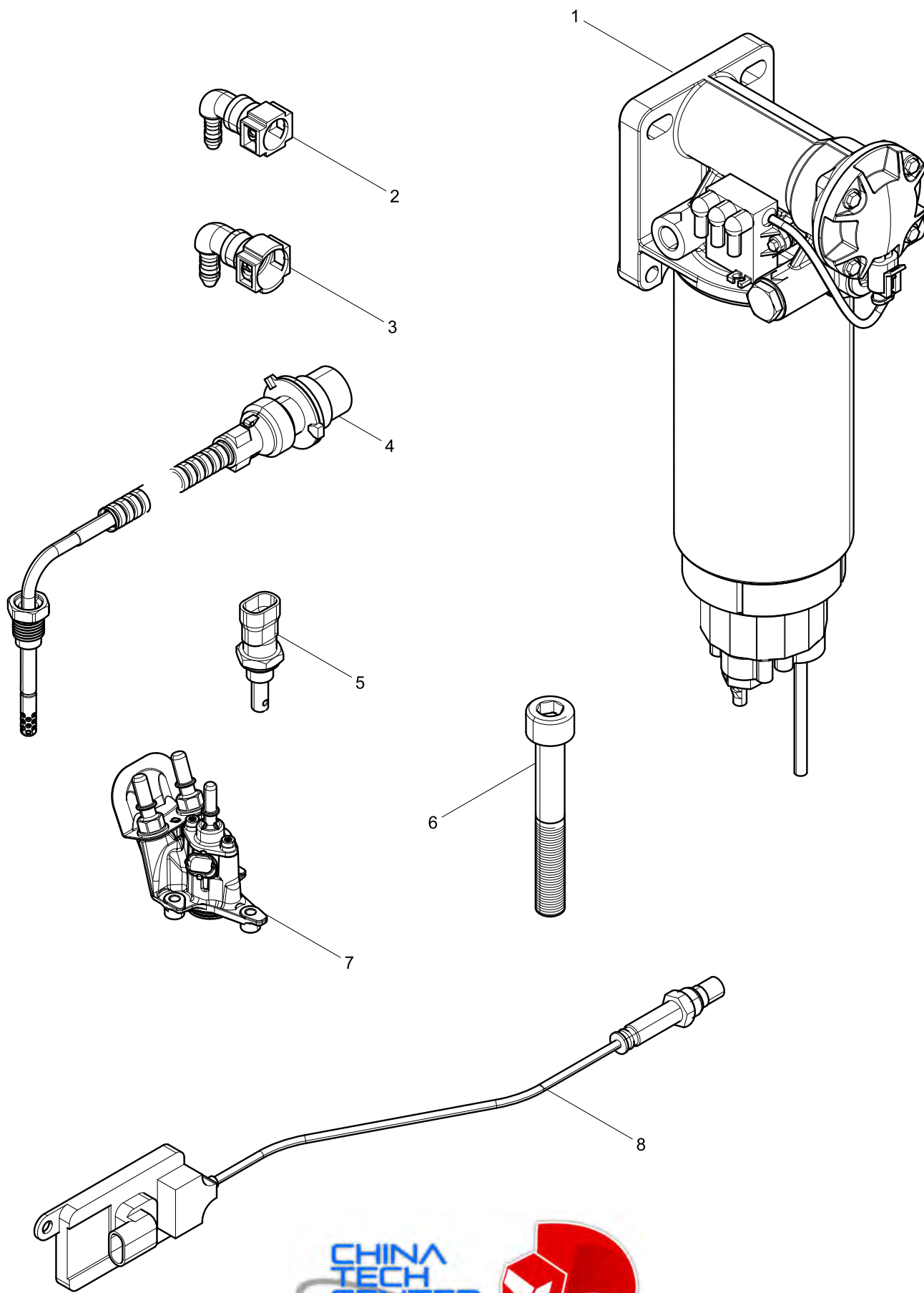
油底壳组件(Oil pan assembly)



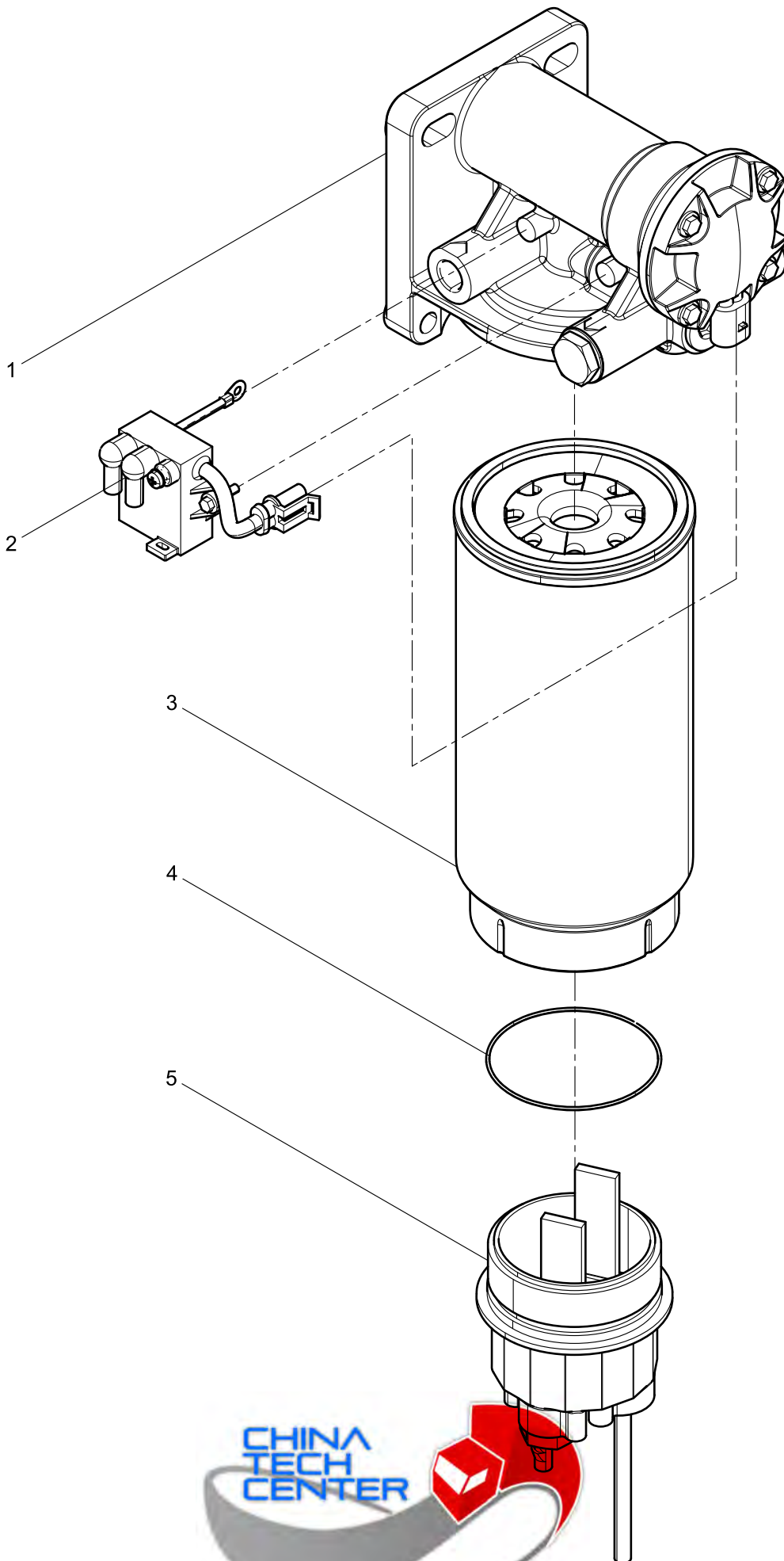
发动机支架结合组(Engine Bracket Group)



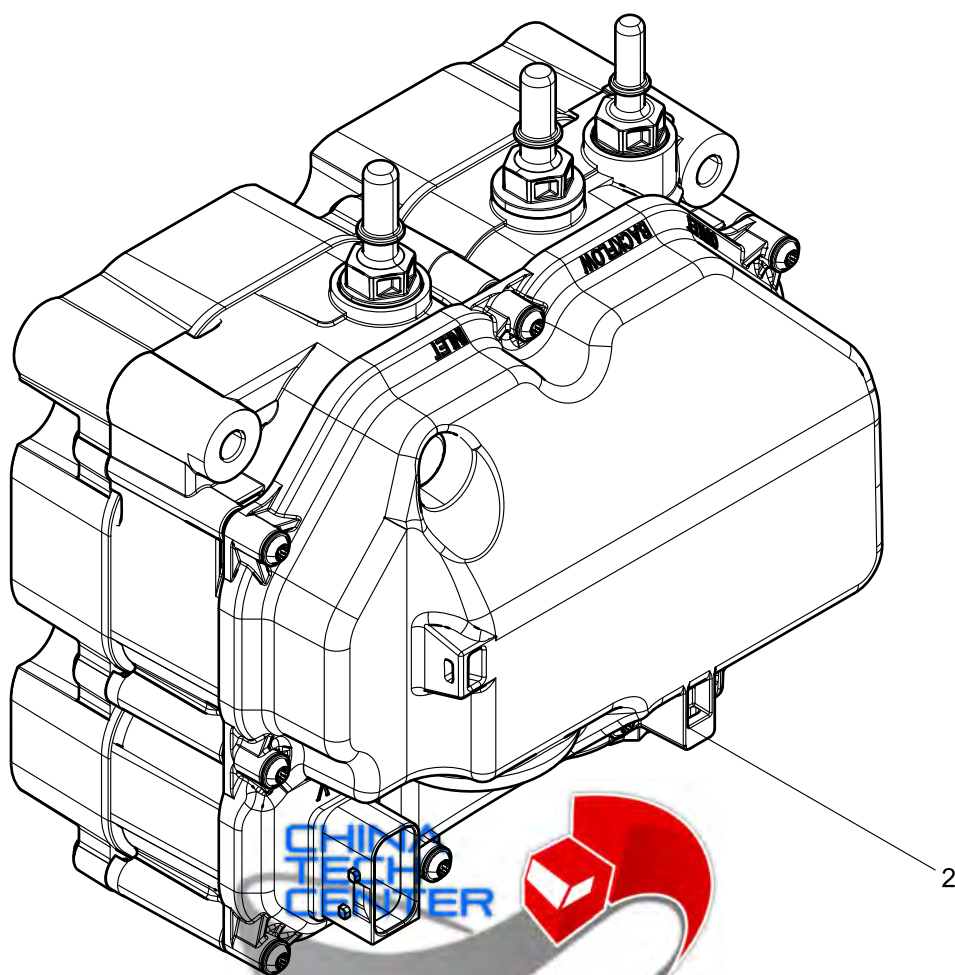
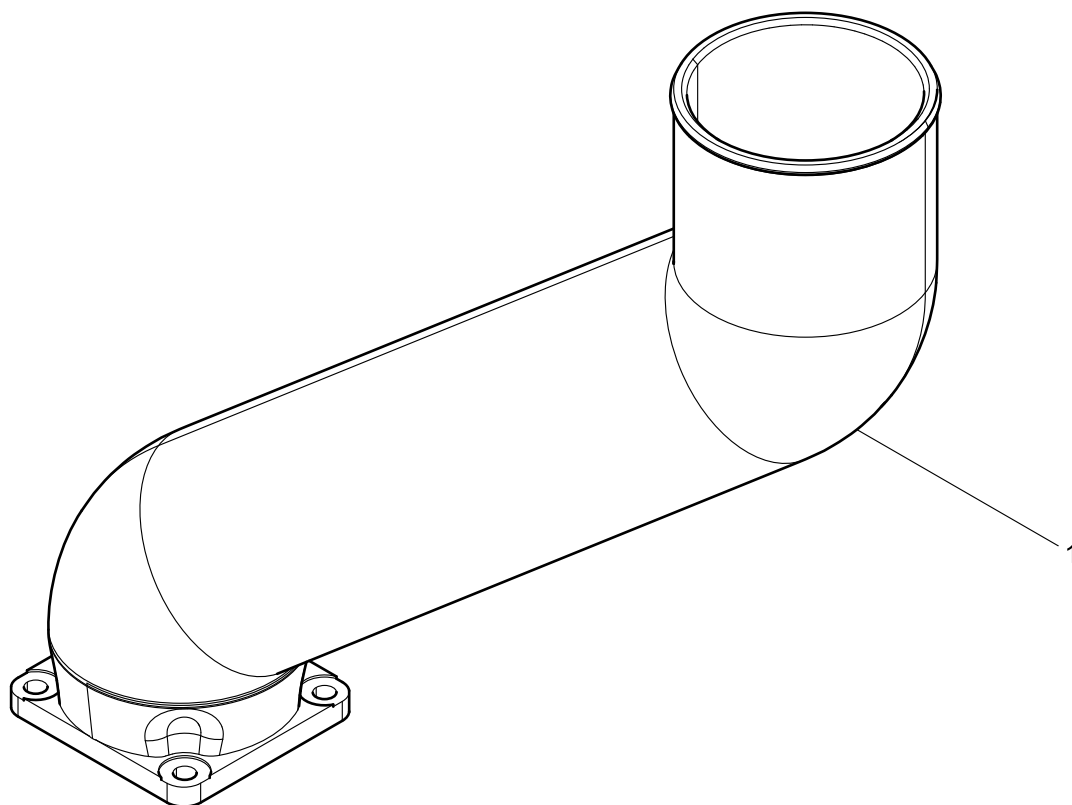
零件箱总成(Parts Kit Assembly)



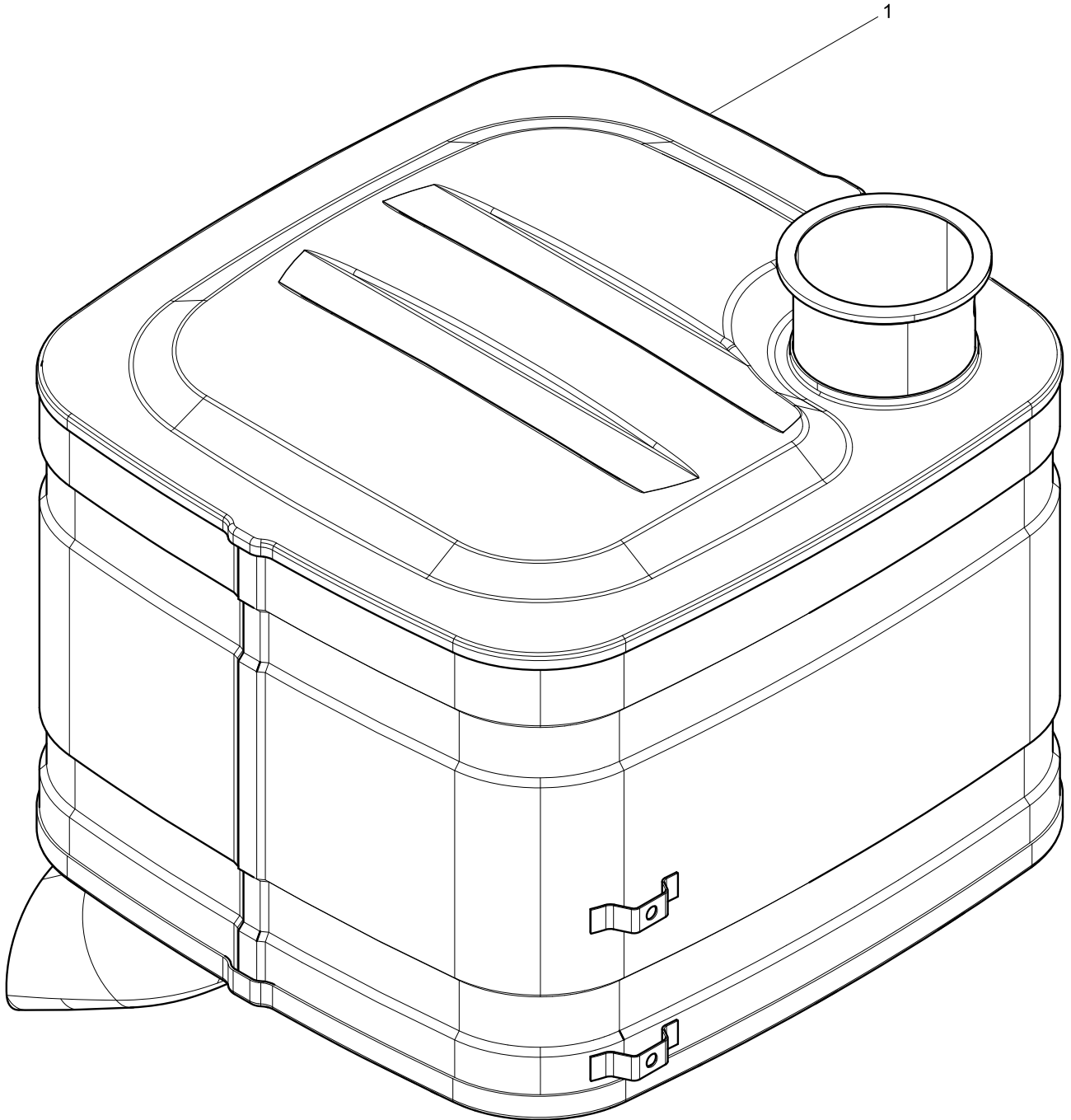
燃油水寒宝(Fuel System Protector)



包装箱底盘零件结合组(Packing Box Chassis Parts Group)



随机单发零件结合组(Single Transport Parts Attached to Engine Group)(*01)



随机单发零件结合组(Single Transport Parts Attached to Engine Group)(*02)



潍柴动力股份有限公司
WEICHAI POWER CO., LTD.

地址 山东省潍坊市高新技术产业开发区福寿东街197号甲

Add : NO.197A, Fushou East Str.,

Weifang High-new Techindustrial Development Zone, Weifang, Shandong, CHINA.

电话+86-0536-8197777

Tel: +86-0536-8197777

传真+86-0536-8221210

Fax:+86-0536-8221210

邮编261205

Postae Code: 261205